

GOBI HONDA ELEMENT FULL SIZE ROOF RACK INSTALLATION INSTRUCTIONS

Guidelines:

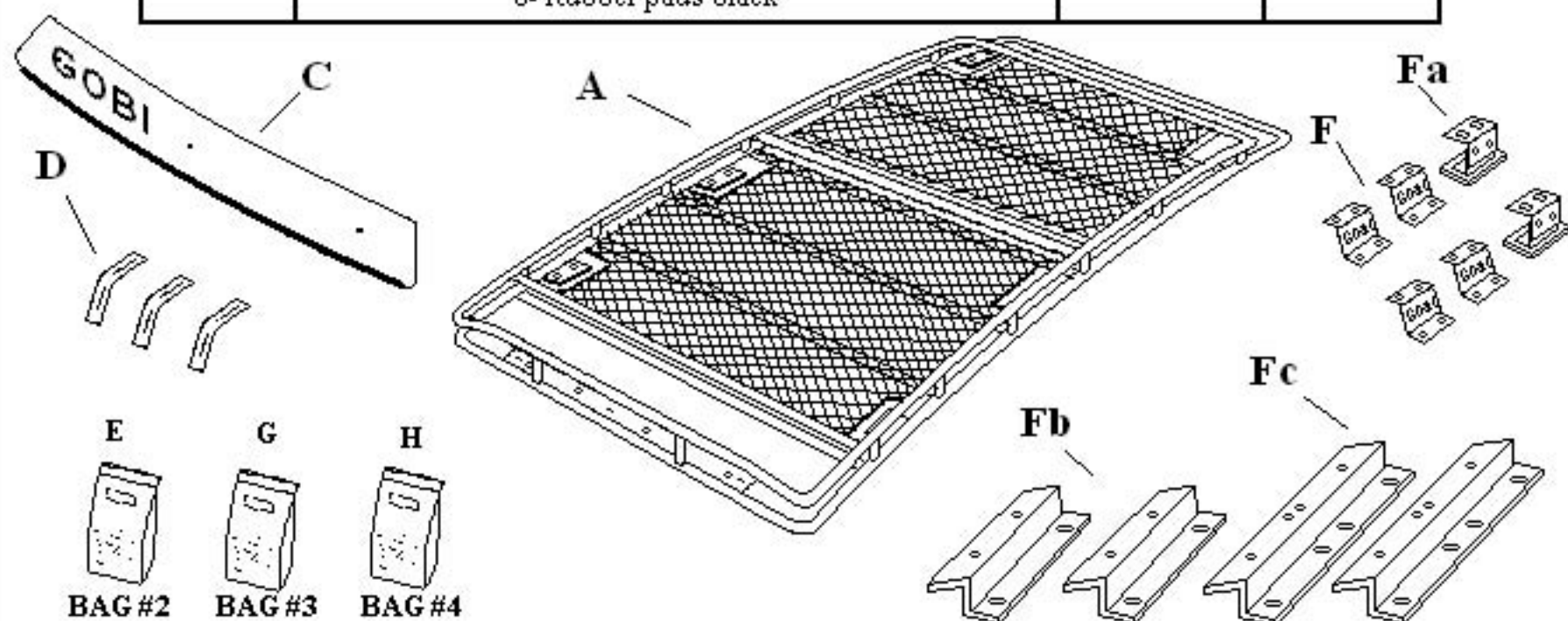
When using Load Carriers and Accessories, the user must understand the precautions. The points listed below will assist you in using the rack /carrier system and will encourage safety.

- For quality fits and safety, use only the recommended rack or accessory. Do not assume an accessory will fit, always check with dealer when obtaining new accessories. Use only approved accessories on load carriers. Using other brands will void your warranty.
- Make sure all knobs, bolts, screws, straps, and locks are firmly attached, tightened and locked before every trip. Knobs, bolts, screws, straps, and locks must be periodically inspected for signs of wear, corrosion, and fatigue. Check your load at stops during the trip to insure continued fastening security.
- Check local and state laws governing projection of objects beyond the width of a vehicle. **Be aware of the width and height of your cargo since low clearance branches, bridges, and parking garages can affect the load** All cargo will affect the vehicle's driving behavior. Never drive with any lock, knob, or rack in an open or unlocked position. All long loads such as, but not limited to sailboards, surfboards, kayaks, canoes, and lumber must be tied down front and rear to the bumpers or tow hooks, of the vehicle.
- Remove your rack accessories when they are not in use, before entering car washes, prior to taking in your vehicle for service, and whenever clearance may be an issue.
- All locks must be turned and moved periodically to insure smooth operation. Use graphite or similar dry lubricant to help this. Locks are designed to deter vandalism and theft. Remove valuable gear if your vehicle is unattended for an extended period. Place at least one key in the glove compartment.
- For safety to your vehicle and rack system, obey all posted speed limits and traffic cautions. Adapt your speed to the conditions of the road and the load being carried.
- Do not use load carriers and accessories for purposes other than those for which they were designed. Do not exceed their carrying capacity.
- Consult with your dealer if you have any questions regarding the operations and limits of this product. Review all instructions carefully.

GOBI HONDA ELEMENT FULL SIZE ROOF RACK INSTALLATION INSTRUCTIONS

Included in kit

Letter	Description	Location	Quantity
A	GOBI HONDA ELEMENT FULL SIZE ROOF RACK	Main box	1
B	FAIRING RUBBER PROTECTIVE STRIP	pre-assembled	1
C	FAIRING	banded to rack	1
D	FAIRING BRACKETS (pre-assembled to fairing)	pre-assembled	3
E	FAIRING BRACKET HARDWARD CONTENTS: 3- 1/4-20x1 black zinc button bolt 6- 1/4" black washer 3- 1/4" lock washer 3- 1/4-20 wing nut	BAG #2 Hardware Box	1
F/Fa	GOBI RACK SUPPORT BRACKETS	Hardware Box	6
Fb/Fc	GOBI ROOF TOP SUB MOUNTING SUPPORTS	Hardware Box	4
G	GOBI ROOF TOP MOUNTING HARDWARE CONTENTS: 8- 5/16-18 x 3/4" SS Button Head Screws 8- 5/16 SS Lock washers 8- 5/16 SS Flat washers 1- 3/16" Allen wrench Inside Bag #3 — 8- M6 x 20mm SS Button Head Screws 8- 1/4" SS Lock washers 8- 5/16 SS Flat washers 1- M4 Metric Allen wrench	BAG #3 Hardware Box	1
H	GOBI RACK SUPPORT BRACKET HARDWARE CONTENTS: 12- 3/8 -16 x 1" SS Hex Bolt 24- 3/8 SS Flat washers 12- 3/8 SS Lock washers 12- 3/8 SS Lock nuts 6- Rubber pads black	BAG #4 Hardware Box	1



GOBI HONDA ELEMENT FULL SIZE ROOF RACK INSTALLATION INSTRUCTIONS

The rack must be inspected before each use to make certain attachments are secure, and for evidence of Wear. Misuse of the rack or failure to observe the manufacturer's instructions as to installation, proper Attachment and maintenance will void any warranties that may be implied by law.

INSTALLATION INSTRUCTIONS:

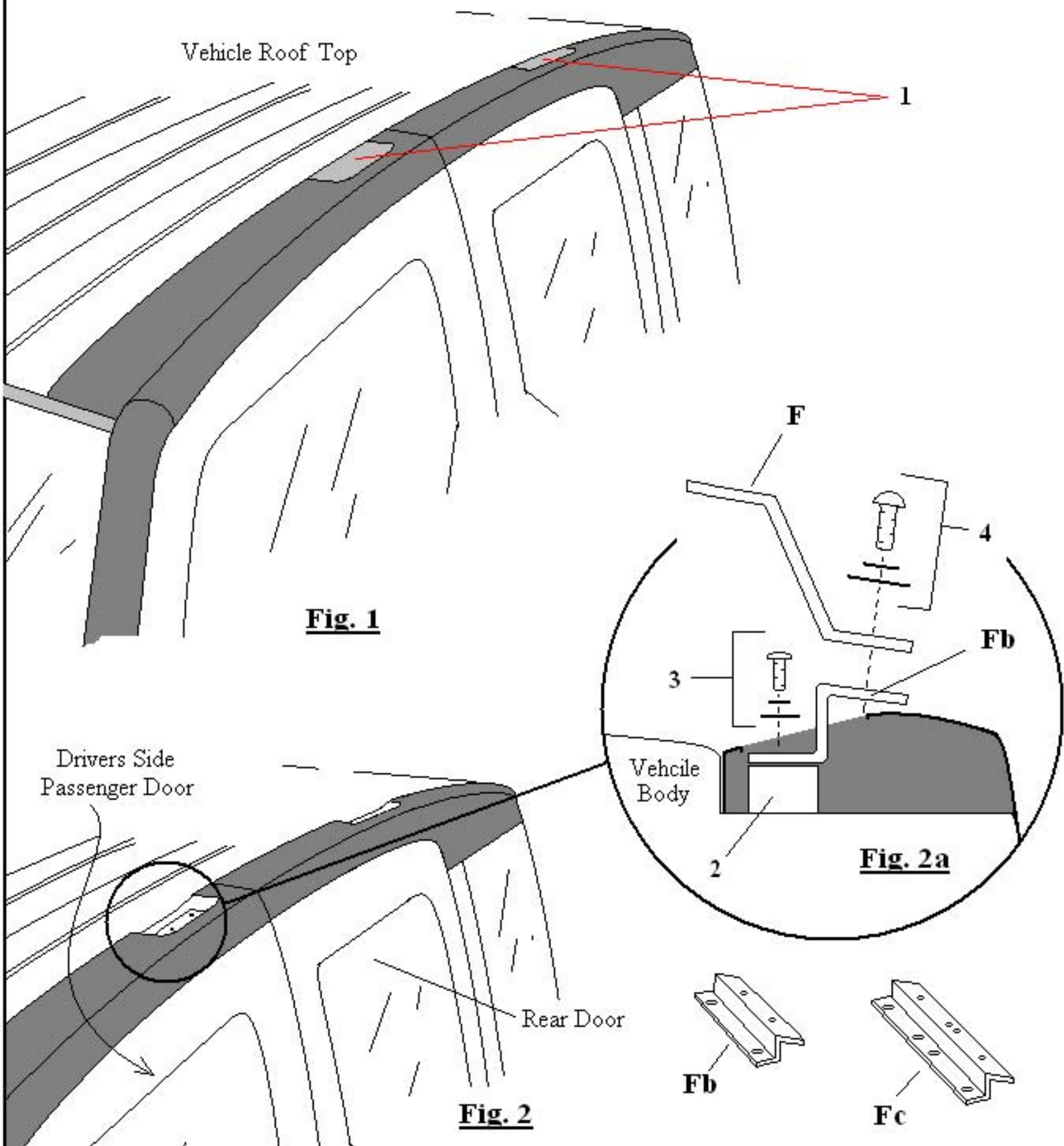
- 1- Prior to installation use the hardware list on page 2 of the Gobi instructions manual to verify that all hardware is present.
- 2- Refer to page 5 Fig. 1, remove the 4 plastic roof trim covers "1" concealing the roof Top sub mounting attachment points "2" shown in Fig. 2a.
- 3- Remove all 4 Gobi Roof Top Sub mounting brackets "Fb" and "Fc" from hardware box supplied as listed on page 2. Also remove a small plastic bag of M6 Metric Stainless hardware located in "Bag 3" supplied with your kit. Refer to page 5 Fig. 2 and Fig. 2a and attach sub mounting brackets "Fb" and "Fc" to attachment points "2" of the vehicle roof top using metric screws "3" located in small plastic bag inside Bag 3 as shown in Fig. 2 and Fig. 2a to both the Driver's and Passenger side. Apply the same procedure to the second set of mounting brackets "Fc" mounting to the roof top attachment points "2" just above the Rear doors. Note that sub mounting brackets "Fc" are identical to each other but when installing onto the roof top mounting attachment points "2" choose the two mounting holes suited for either the driver's or passenger side. At this time Position sub mounting brackets parallel to the vehicle's sides and snug down all bracket and screws to the vehicle roof top mounting points "2". Do not fully tighten at this time.
- 4- Remove Gobi support brackets "F" from the hardware box listed on page 2. Refer to page 5 Fig. 2a (exploded view) and attach Gobi Rack support brackets "F" using the 5/16-18 screws, lock washers and flat washers "4" located in Bag 3 to sub mounting brackets "Fb" and "Fc" in the direction shown in Fig. 2a. Note: (Roof Top Sub mounting Brackets "Fc" has 4 threaded holes per bracket designed so that both brackets "Fc" can be used for either the Driver or passenger side). When mounting Gobi Rack support brackets "F" to the second set of Roof Top sub mounting supports "Fc" use the set of threaded holes just above the sub mounting bracket attachment holes used to attach "Fc" to attachment point "2" on the vehicle roof top. Do not fully tighten all screws "4" at this time, leave slightly loose for positioning purposes.
- 5- Remove Gobi Rack support brackets "Fa" from the hardware box listed on page 2. Refer to page 6 Fig. 3 and attach both Gobi Rack support brackets "Fa" to the rear of the roof rack mounting flanges "5" place rubber pad "7" between brackets and Roof Rack using 3/8-16 screws, lock washers, flat washers and lock nuts "6" located in Bag 4 in the direction shown. Do not fully tighten at this time leave brackets "Fa" loose enough to position by hand.
- 6- Refer to page 6 Fig. 4 place the Gobi Roof Rack "A" onto the vehicle's roof top and align its welded in flanges "5" onto the 4 Gobi Support brackets "F" previously mounted to the vehicle roof top as shown. Place rubber pad "7" between the roof rack flanges "5" and support brackets "F" and attach using 3/8-16 bolts, flat washers, lock washer and lock nuts "6". Finger tighten only all hardware at this time.
- 7- After all screws have been installed position the Gobi Roof Rack "A" in line with the vehicle and fully tighten and secure in place in the following order all screws "3" as shown on page 5 Fig. 2a, then screws "4" as shown on page 5 Fig. 2a, then bolts "6" as shown on page 6 Fig. 3 & 4. Use the 3/16" and 4mm Allen wrench's supplied with your kit.

GOBI HONDA ELEMENT FULL SIZE ROOF RACK INSTALLATION INSTRUCTIONS

The rack must be inspected before each use to make certain attachments are secure, and for evidence of Wear. Misuse of the rack or failure to observe the manufacturer's instructions as to installation, proper Attachment and maintenance will void any warranties that may be implied by law.

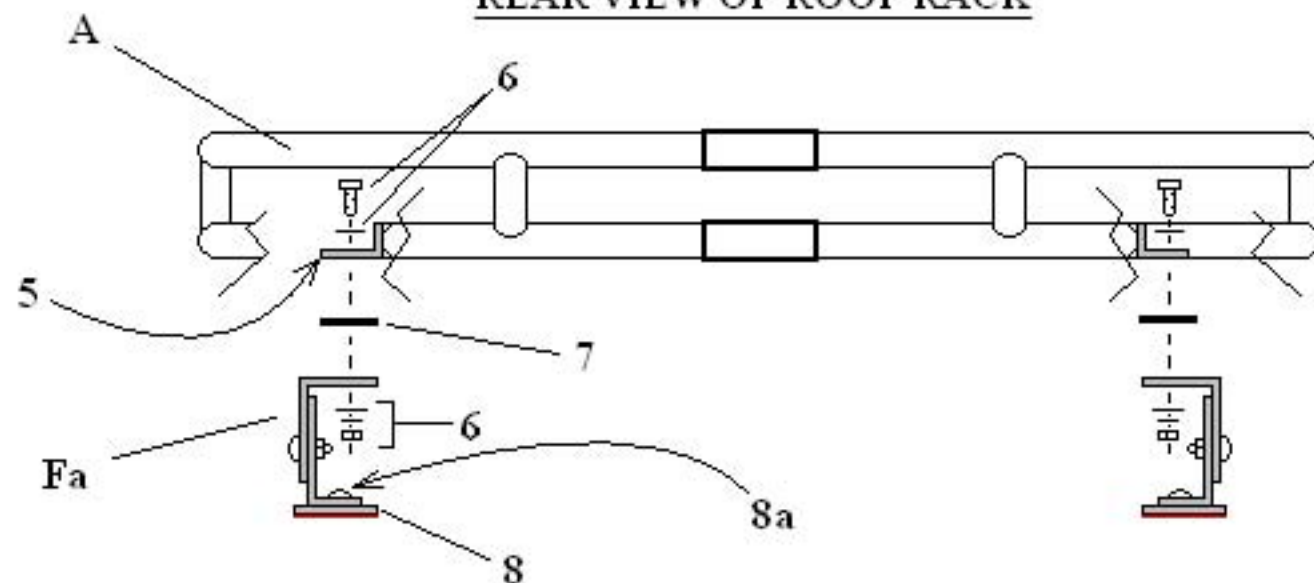
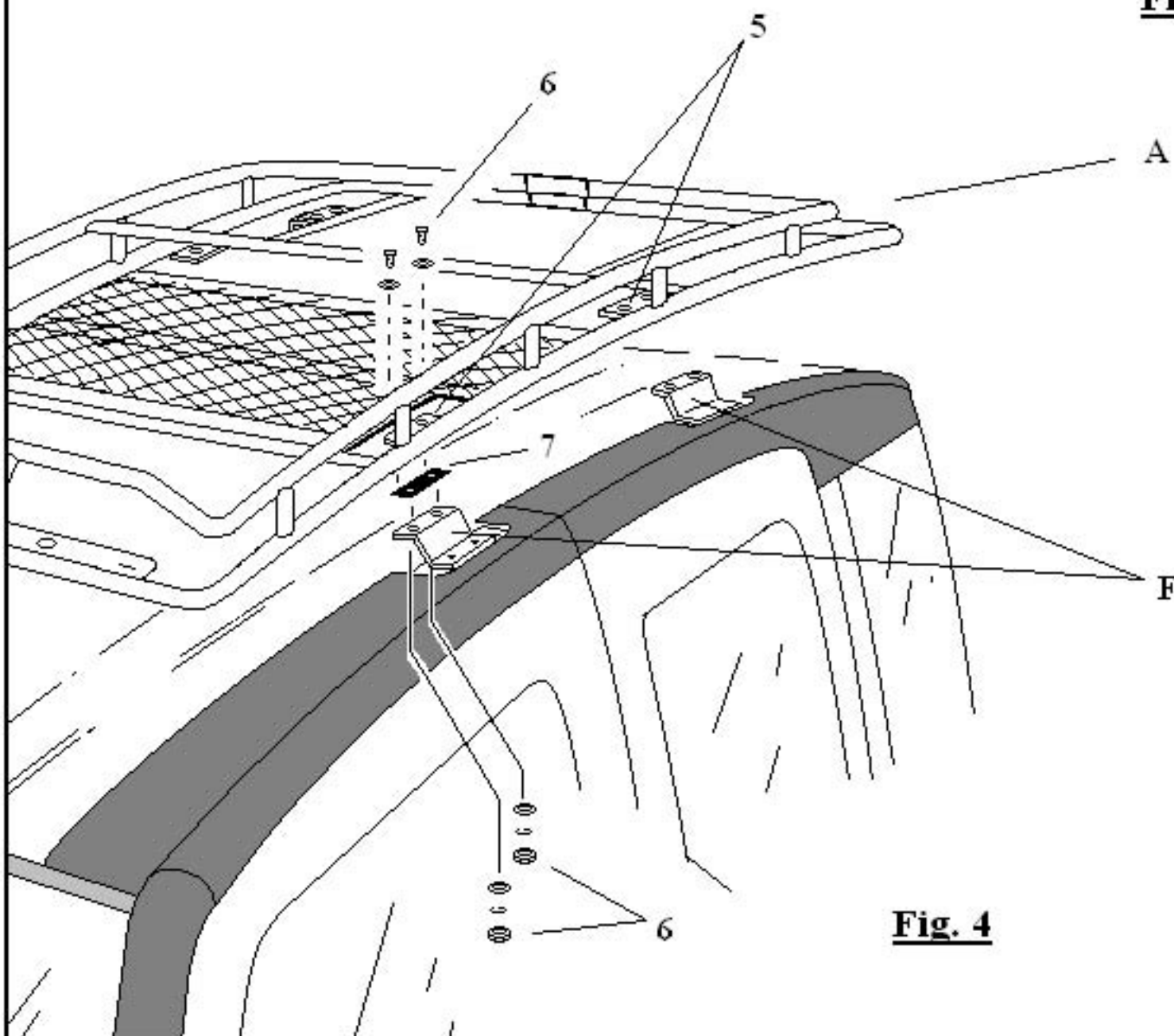
- 8- Refer to page 7 Fig. 5 and position entire bracket "Fa" so that foot plate "8" is as close to the vehicle plastic trim edge "9" as possible. This can be accomplished by either loosening bolts "6" or foot plate screw "8a" or both in combination as shown in Fig. 5. Once positioning of support bracket "Fa" and foot plate "8" has been accomplished tighten slightly all screws and bolts then place a boarder of masking tape around the outer bottom edge of foot plate "8" on the vehicle roof top shown in Fig. 6 page 7. Apply the same procedure to both brackets "Fa" at the rear of the roof rack at this time.
- 9- Refer to page 6 Fig. 3 and completely remove both rear support brackets "Fa" at this time leaving the masking tape boarder in place. Clean the roof top area within the masking tape boarder with denatured alcohol to remove all dirt and impurities and leave to dry for 60 seconds. Remove foot plate "8" from rear support brackets "Fa" and peel off the protective film cover from the double back tape and place both foot plates "8" back onto the vehicle within the masking tape boarders as shown in Fig. 6 page 7 and press down firmly on foot plates "8" onto roof top for 30 seconds each to ensure a firm bonding. Referring again to page 6 Fig. 3 Place both support brackets "Fa" back onto foot plates "8" and under Gobi Roof Rack "A" flange "5" as shown. Re-install all bolts and screws, align brackets "Fa" to roof rack "A" and foot plate "8" and tighten firmly bolts and screws "6" and "8a".
- 10- Using the help of a second person Refer to page 7 Fig. 5. Use a 9/16" box end wrench and loosen carriage bolts 10 of both rear support brackets "Fa". Lift the rear end of the Gobi Roof Rack "A" separating the rear support brackets "Fa" vertically approximately 1/4" to 3/8" then tighten carriage bolt "10" firmly apply the same procedure to both sides. This adjustment is designed to apply constant pressure down on the rear of the Gobi Roof Rack support brackets "Fa" keeping the rear foot mount in place during use.
- 11- Refer to page 8 Fig. 7 Farring "2", the farring comes pre-assembled with farring brackets "4" attached. The position of each attached farring bracket may not be fixed at the proper height for your particular roofline. Adjustments may have to be made in order for the farring to form correctly to your vehicle's roofline. Begin by attaching the farring center bracket to the middle slot "5a" of the Gobi roof rack light bar "5" shown on page 8 Fig. 7 use the 1/4" bolts, washers and nuts supplied in bag 2. Provide approximately a 2" gap between the farring and the Gobi rack outer front tube as shown on page 8 Fig. 8a, tighten down the center nut and bolt at this time. Proceed to either the right or left hand side and pull the farring in the direction of the arrows on page 8 Fig. 8 letters "F" and "G" while pushing down on the farring towards the roof top at the same time. Pull each side one side at a time until the farring either makes contact with the Gobi roof rack or comes in close proximity. Align farring brackets "4" to the Gobi light bar farring slots "5a" at the ends of the Gobi light bar "5" and insert the 1/4" bolt and washer through the Farring bracket "4" then through the Gobi light bar slot "5a" and secure the farring in place with the 1/4" washer and nut. Proceed to the opposite side and continue attaching the farring in the same manner. Be sure that the farring throughout its length is making contact with the rooftop as snug as possible, farring brackets may need to be adjusted either up or down and in some cases you may bend the farring bracket to accommodate the final result. Once the farring is in the proper position tighten all farring bracket screws firmly. Roof rack installation is complete.

GOBI HONDA ELEMENT FULL SIZE ROOF RACK INSTALLATION INSTRUCTIONS



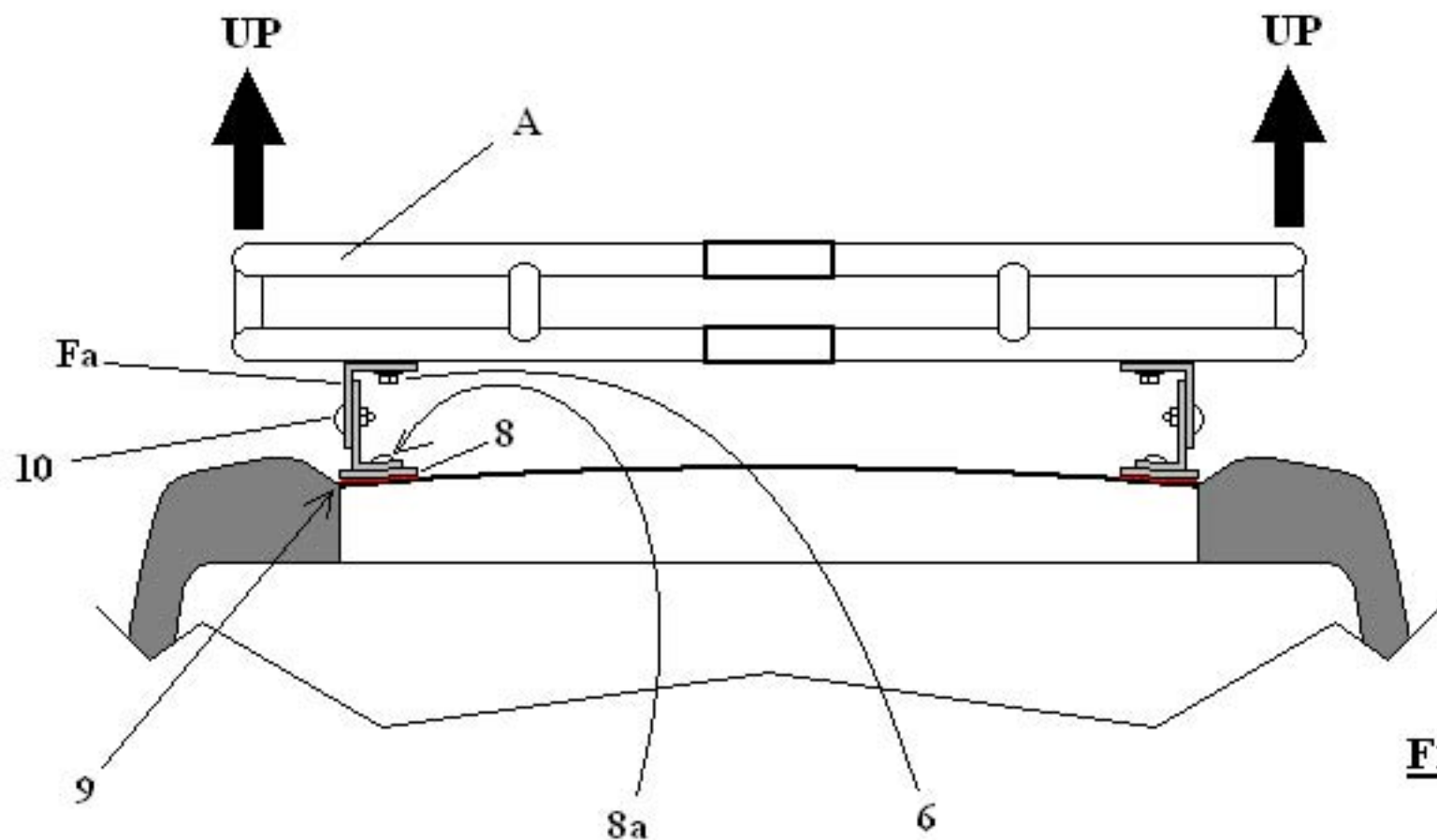
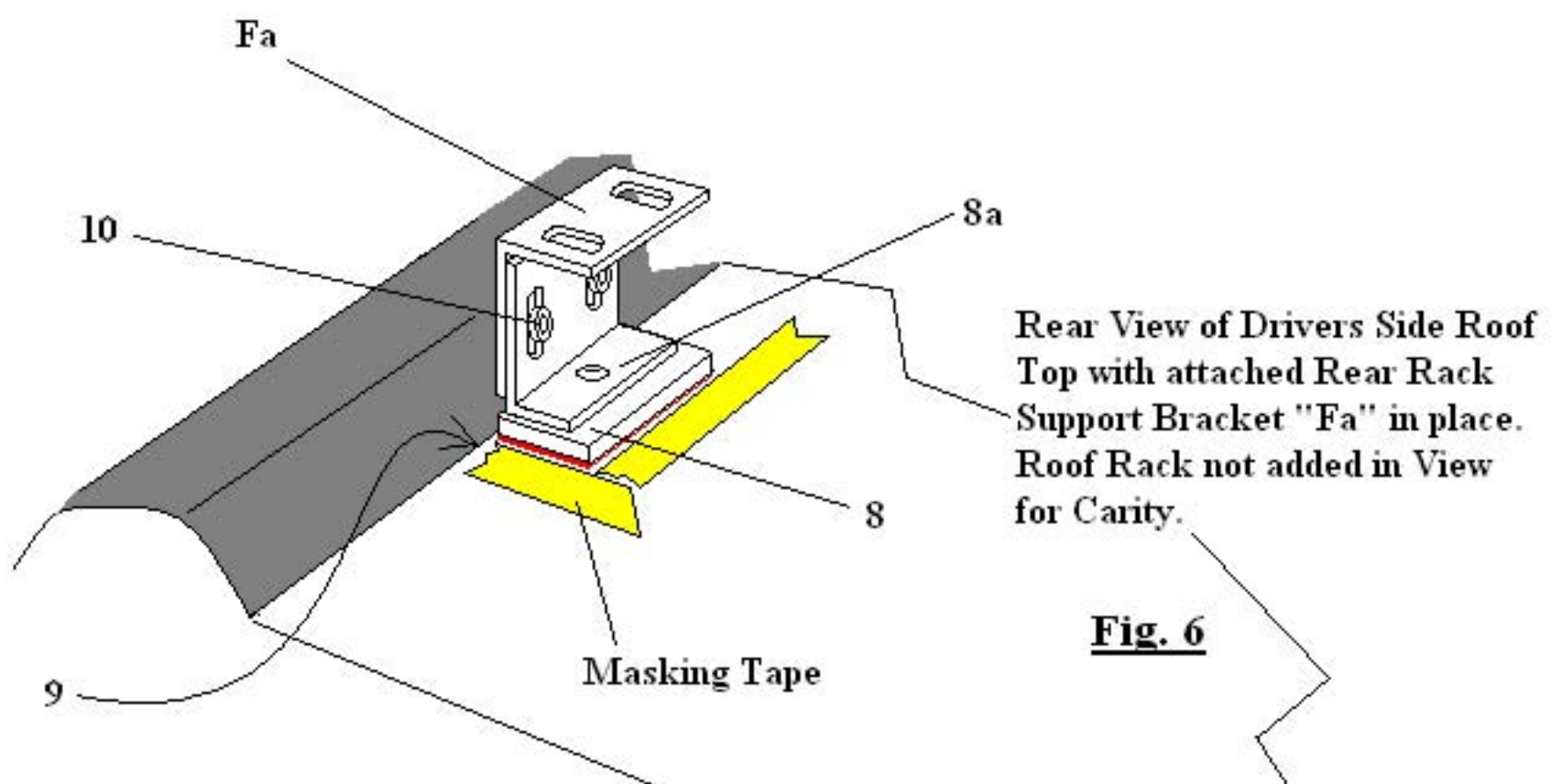
GOBI HONDA ELEMENT FULL SIZE ROOF RACK INSTALLATION INSTRUCTIONS

REAR VIEW OF ROOF RACK

**Fig. 3****Fig. 4**

GOBI HONDA ELEMENT FULL SIZE ROOF RACK INSTALLATION INSTRUCTIONS

REAR VIEW OF ROOF RACK POSITIONED ON VEHICLE

**Fig. 5****Fig. 6**

GOBI HONDA ELEMENT FULL SIZE ROOF RACK INSTALLATION INSTRUCTIONS

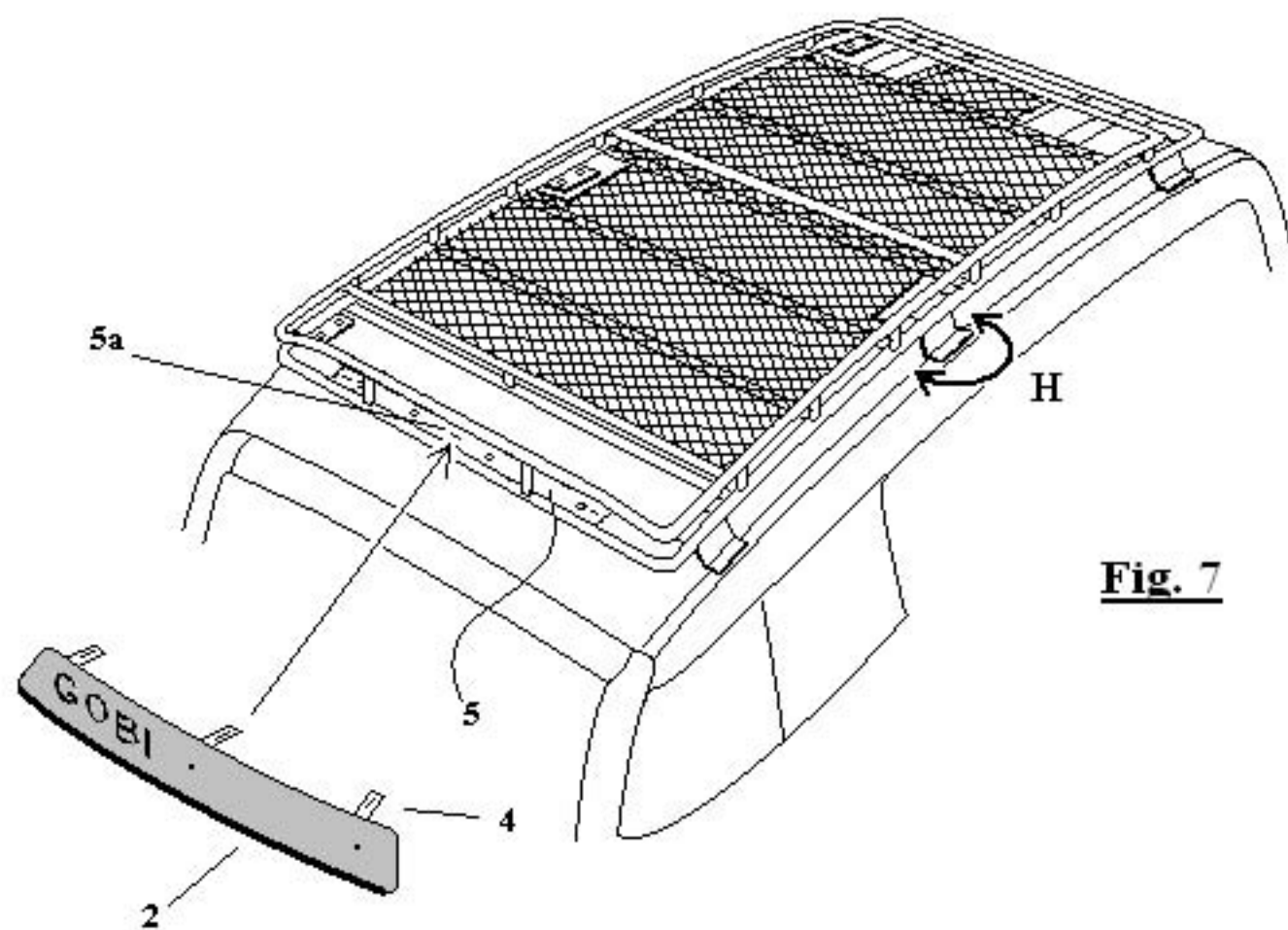


Fig. 7

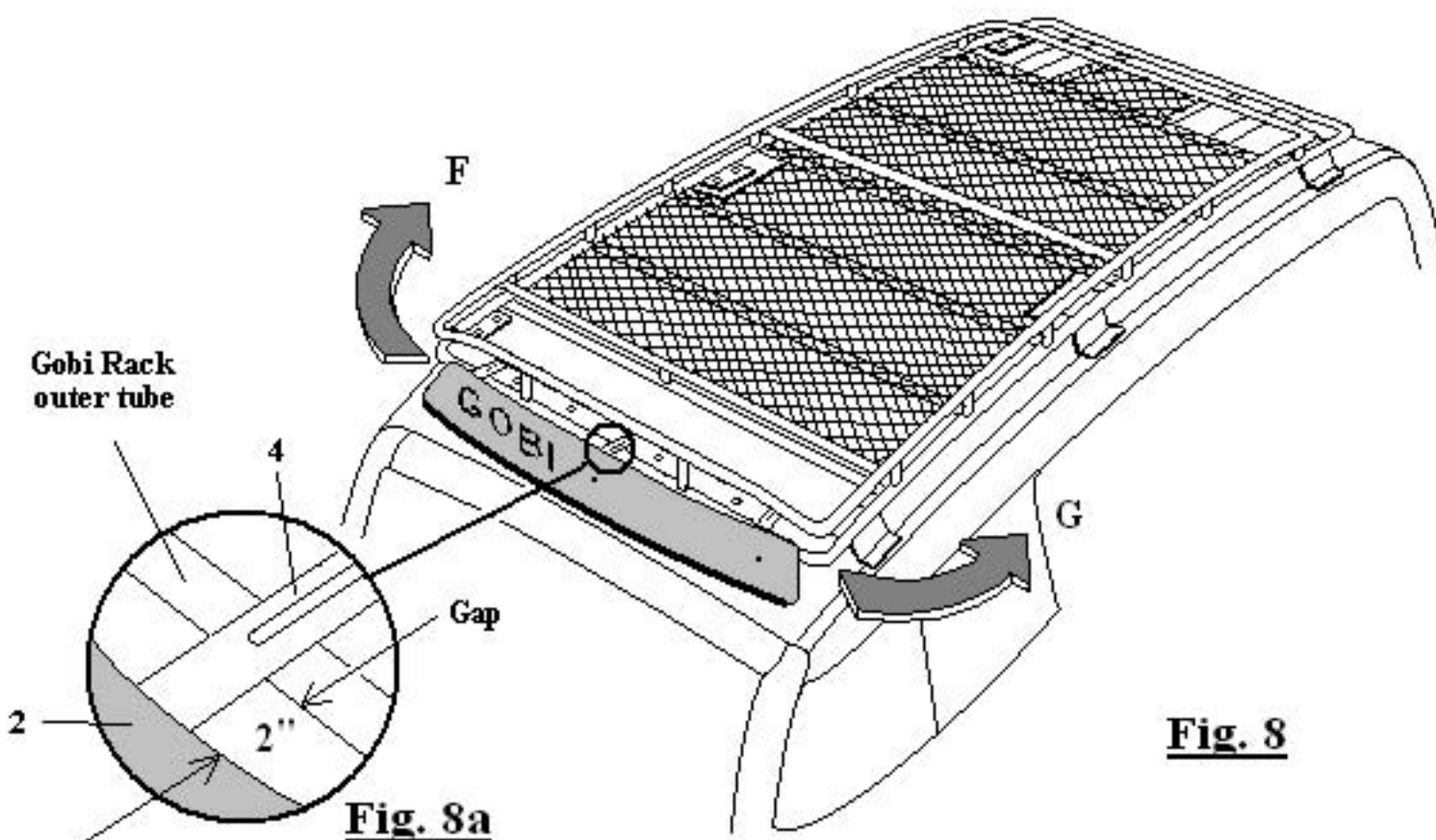


Fig. 8