

## GOBI HONDA ELEMENT LADDER INSTALLATION INSTRUCTIONS

*The Gobi ladder must be inspected before each use to make certain attachments are secure, and for evidence of wear. Misuse of the ladder or failure to observe the manufacturer's instructions as to installation, proper attachment and maintenance will void any warranties that may be implied by law.*

# CAUTION

**"LADDER IS TO BE TRAVERSED UPON  
ONLY  
WHEN THE REAR DOOR TAIL GATE  
AND LIFT GATE ARE FULLY  
CLOSED AND LOCKED"**

## GOBI HONDA ELEMENT LADDER INSTALLATION INSTRUCTIONS

### Guidelines:

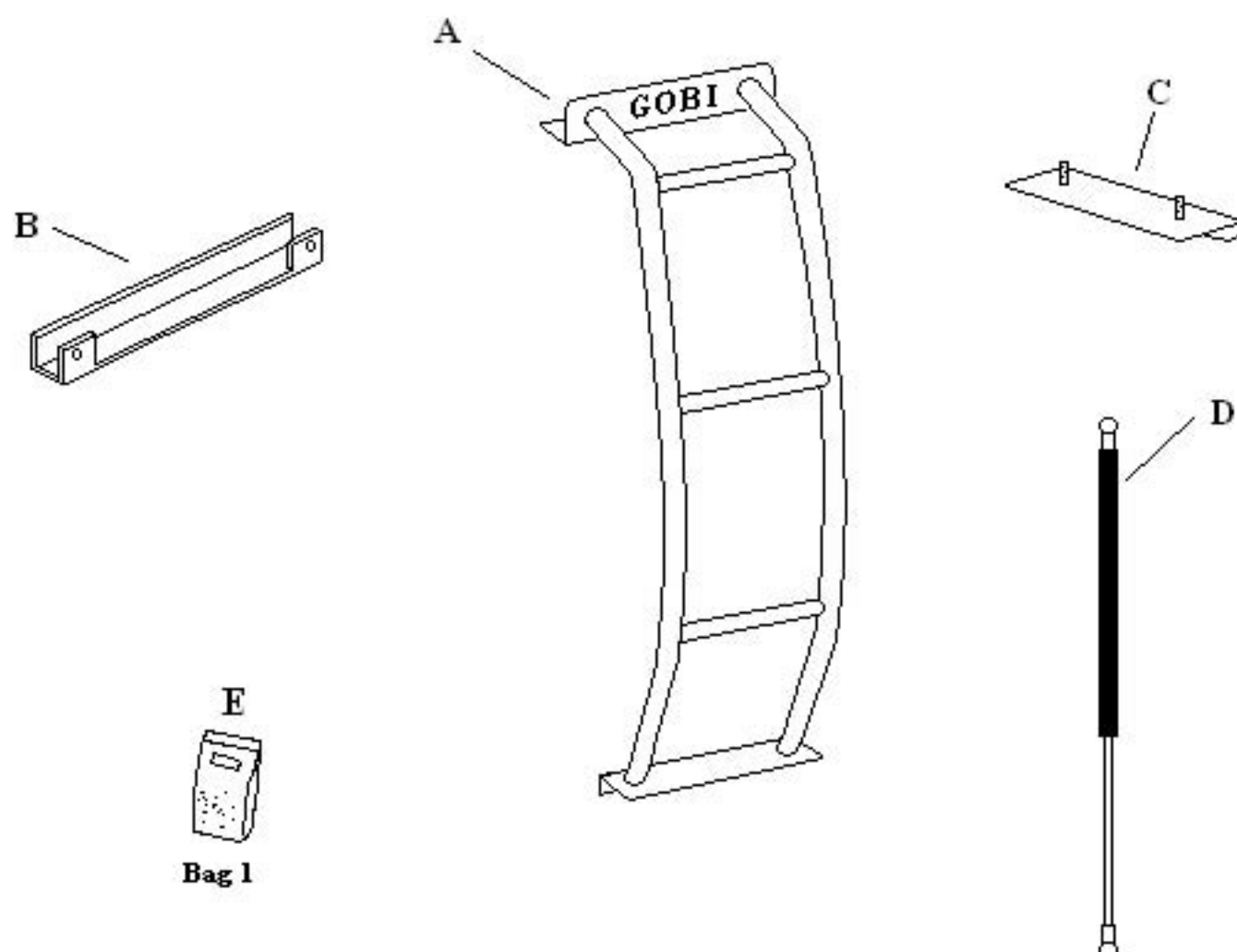
When using Load Carriers and Accessories, the user must understand the precautions. The points listed below will assist you in using the rack /carrier system and will encourage safety.

- For quality fits and safty, use only the recommended rack or accessory. Do not assume an accessory will fit, always check with dealer when obtaining new accessories. Use only approved accessories on load carriers. Using other brands will void your warrenty.
- Make sure all knobs, bolts, screws, straps, and locks are firmly attached, tightened and locked before every trip. Knobs, bolts, screws, straps, and locks must be periodically inspected for signs of wear, corrosion, and fatigue. Check your load at stops during the trip to insure continued fastening security.
- Check local and state laws governing projection of objects beyound the width of a vehicle. **Be aware of the width and height of your cargo since low clearance branches, bridges, and parking garages can affect the load** All cargo will affect the vehicle's driving behavior. Never drive with any lock, know, or rack in an open or unlocked position. All long loads such as, but not limited to sailboards, surfboards, kayaks, canoes, and lumber must be tied down front and rear to the bumpers or tow hooks, of the vehicle.
- Remove your rack accessories when they are not in use, before intering car washes, prior to taking in your vehicle for service, and whenever clearance may be an issue.
- All locks must be turned and moved periodically to insure smooth operation. Use graphite or similar dry lubricant to help this. Locks are designed to deter vandalism and theft. Remove valuable gear if your vehicle is unattended for an extended period. Place at least one key in the glove compartment.
- For safety to your vehicle and rack system, obey all posted speed limits and traffic cautions. Adapt your speed to the conditions of the road and the load being carried.
- Do not use load carriers and accessories for purposes other than those for which they were designed. Do not exceed their carrying capacity.
- Consult with your dealer if you have any questions regarding the operations and limits of this product. Review all instructions carefully.

## GOBI HONDA ELEMENT LADDER INSTALLATION INSTRUCTIONS

### Included in kit

Letter	Description	Location	Quantity
A	GOBI HONDA ELEMENT REAR DOOR LADDER	Main box	1
B	LOWER LADDER CLAMP	strapped to ladder	1
C	LADDER HANGER BRACKET	strapped to ladder	1
D	GOBI REAR DOOR GAS SPRING	strapped to ladder	1
E	CONTENTS: 2-5/16" x 18 Stainless Nuts 2-5/16" Stainless Lock washers 2-5/16" Stainless washers 2-10-32 x 5/8" Socket set caps screws 1- 5/32" allen wrench 1- 1/8" allen wrench	BAG #1	1



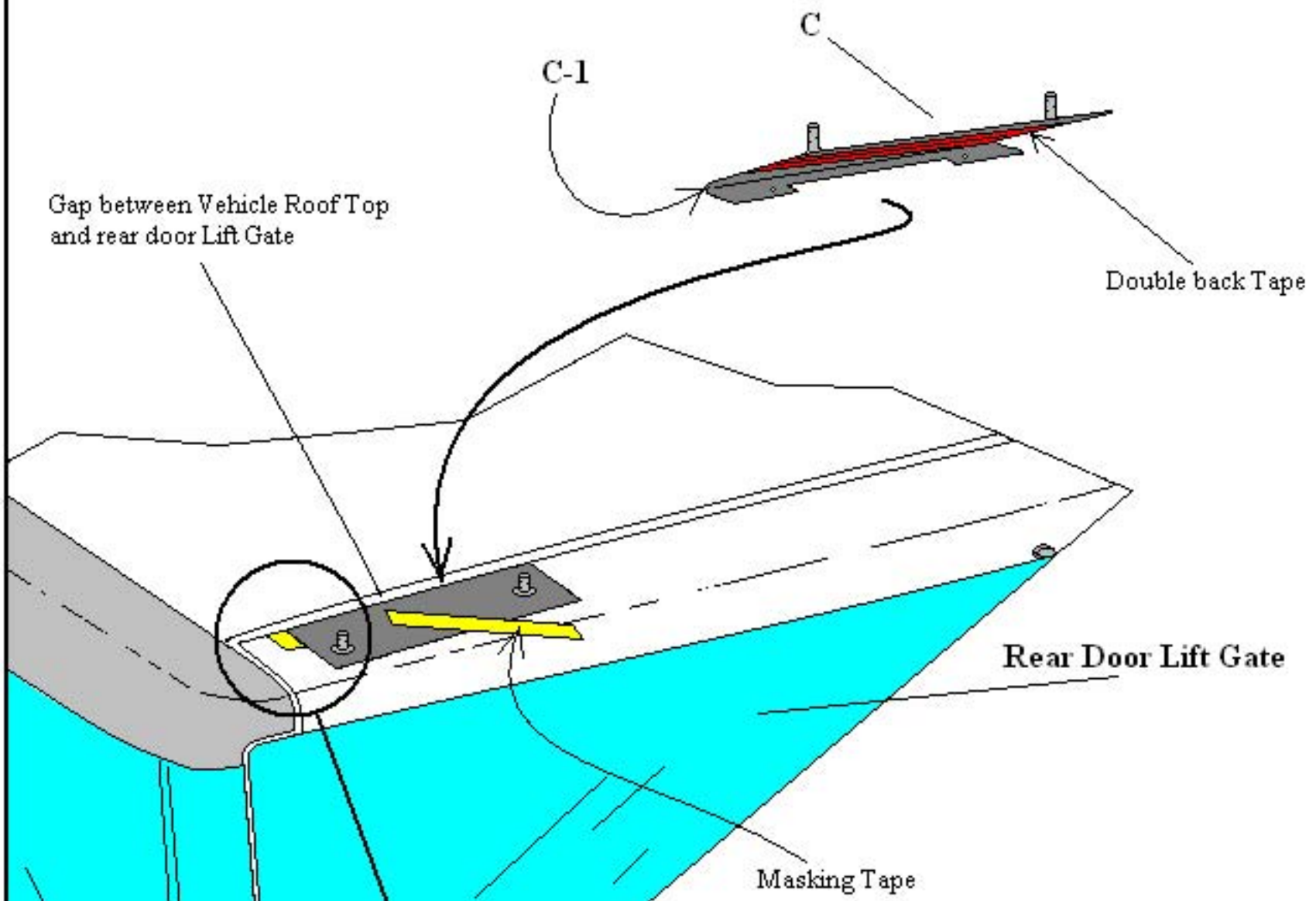
## GOBI HONDA ELEMENT LADDER INSTALLATION INSTRUCTIONS

The Gobi ladder must be inspected before each use to make certain attachments are secure, and for evidence of Wear. Misuse of the ladder or failure to observe the manufacturer's instructions as to installation, proper Attachment and maintenance will void any warranties that may be implied by law.

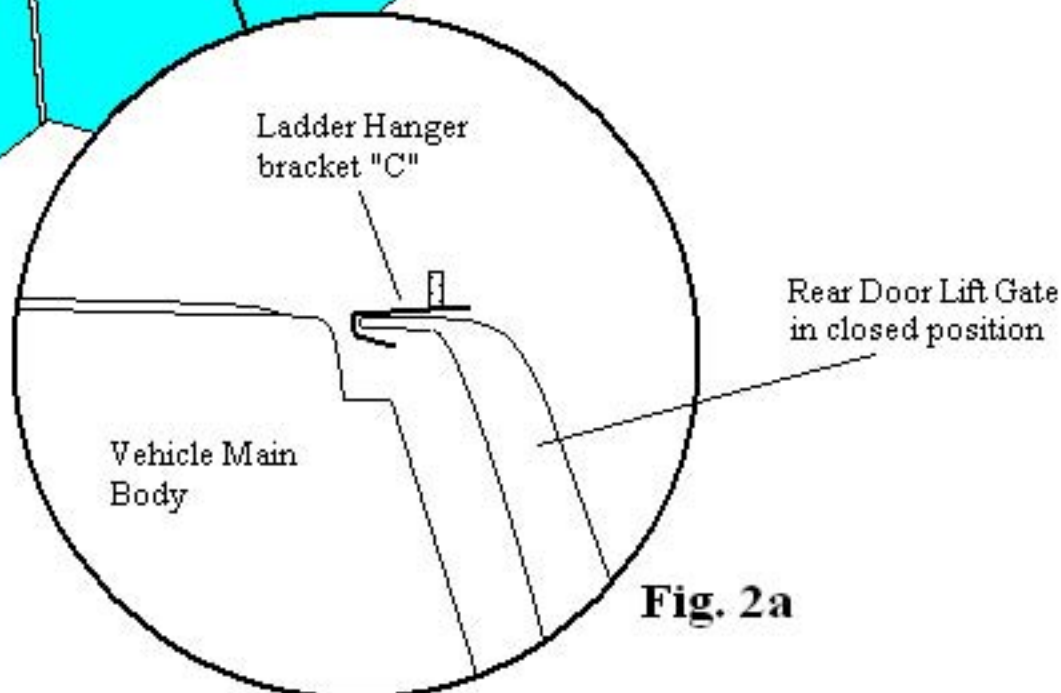
### INSTALLATION INSTRUCTIONS:

- 1- Prior to installation read all instructions carefully then refer back to page 3 and make sure all parts are present before installation procedure.
- 2- Refer to page 7 using masking tape or the like attach a piece of tape as shown in Fig. 4 at the top of the rear door Lift Gate approximately 2" from the top left or drivers side edge. Continue to the bottom of the rear door Lift Gate and attach a piece of masking tape to the lower edge of the door as shown in Fig 7 6-1/4" from the left side or driver's side door edge.
- 3- Remove Ladder Hanger bracket "C" supplied with your parts kit "Do not peel off the double back protective film at this time" carefully slide bracket "C" as shown on page 5 Fig. 2a between the gap of the upper rear door Lift Gate and the vehicle roof top. Once bracket "C" has been slipped into the gap align the left edge of the ladder hanger "C" with the masking tape mark and pull the ladder hanger bracket "C" so that the inside edge "C-1" is up against the rear Lift Gate doors edge as shown in Fig. 2a page 5. Use an additional piece of masking tape to hold down bracket "C" from moving temporarily at this time.
- 4- Refer to page 6 Fig. 3 open the rear door Lift Gate fully, the ladder hanger bracket "C" can now be seen under the Lift Gate door make sure the long notch of the ladder hanger bracket "C" fits around the rear door support hinge as shown in Fig. 3. If the bracket needs to be moved either right or left close the door and move the hanger bracket accordingly once you have confirmed that the ladder hanger bracket "C" notch is spaced so as not to interfere with the rear door support hinge as shown on page 6 Fig. 3 remove the masking tape mark on the outside top of the Lift Gate previously attached and reposition so that the masking tape mark aligns with the ladder hanger bracket's new position. Leave the door down and closed at this time.
- 5- Refer to page 5 and remove the ladder hanger bracket "C" from the door, clean the surface area where the ladder hanger bracket is to be attached with denatured alcohol. Peel off the protective double back tape film and re-fit the ladder hanger bracket "C" back in place and be sure that the inner edge "C-1" is in full contact with the rear door Lift Gate's upper edge as shown in Fig. 2a. Once in place press down firmly and hold for at least 30 seconds.
- 6- Refer to page 7 Fig. 4 attach ladder "A" on to upper ladder hanger bracket "C" as shown in Fig. 4 page 7. Align the lower ladder bracket "A-1" left side edge with the masking tape mark previously placed at the bottom of the rear door Lift Gate as shown in Fig. 4 page 7. Visually check that the ladder is vertically true and not tilted to one side or the other. If the ladder appears to be slanted to one side or the other move the ladder to correct the vertical position then re-set the masking tape to the new corrected position. Remove the ladder and clean the area in which the ladder is to be attached with denatured alcohol then peel off the double back tape protective film as shown in Fig. 4 re-install the ladder back onto the rear door Lift Gate as before. As you install the ladder pull down firmly as you press the lower ladder onto the bottom of the Lift Gate door. While pressing firmly hold the ladder against the lower Lift Gate door for at least 30 seconds.
- 7- Open the rear door Lift Gate at this time and refer to page 8 remove the lower ladder clamp "B" from your kit. Slide clamp "B" over the lower ladder support "A-1" and the lower Lift Gate door lip as shown in Fig. 5 and Fig. 5a page 8. Make sure that the aluminum pinch plate is between the lower door lip and the set screws as shown in Fig. 5a page 8. Align the edges of clamp "B" with the edges of the lower ladder support "A-1" and push up on the clamp so that the bottom of the clamp "B-2" comes as close as possible to the bottom of the rear door Lift Gate lower lip then begin to tighten set screws "B-3". After you have fully tightened set screws "B-3" close the rear Lift Gate door.
- 8- Refer to page 7 and attach washers and nuts "B-4" to the upper ladder hanger bracket as shown in Fig. 4 and fully tighten.
- 9- Open the rear Lift Gate door at this time refer to page 6 and install two 10-32 x 5/8" set screws "B-5" with a 3/32" Allen wrench both supplied with your kit into the threaded holes located at the bottom of the ladder hanger bracket "C" then tighten set screws firmly. Close the rear door Lift Gate remove the masking tape markers installation complete.

## GOBI HONDA ELEMENT LADDER INSTALLATION INSTRUCTIONS



**Fig. 2**

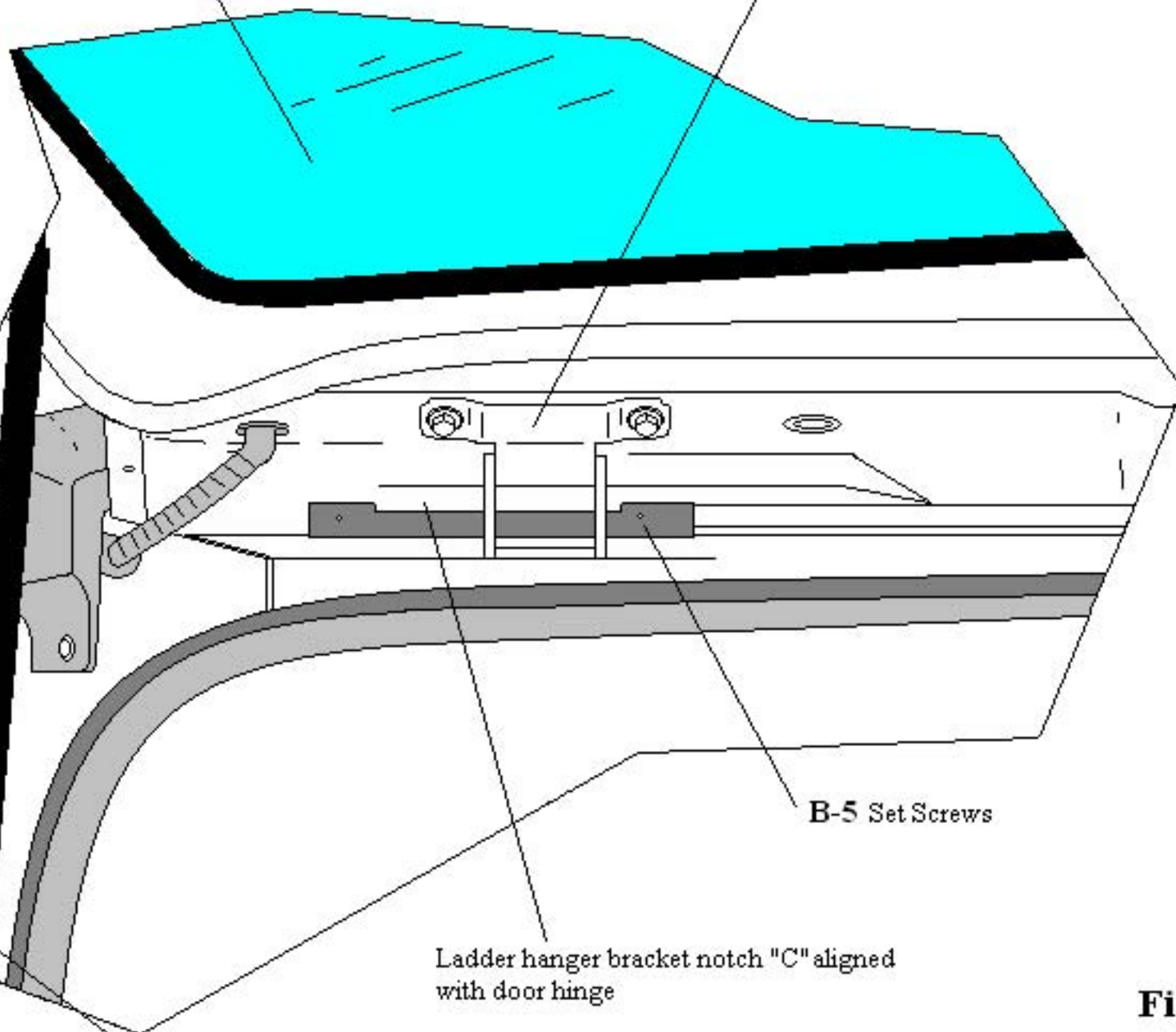


**Fig. 2a**

## GOBI HONDA ELEMENT LADDER INSTALLATION INSTRUCTIONS

Rear Door Lift Gate  
in the open position

Rear Door Drivers side  
support Hinge



B-5 Set Screws

Ladder hanger bracket notch "C" aligned  
with door hinge

**Fig. 3**

**NOTE:** Replace the rear door Lift Gate gas spring with the stronger gas spring supplied with your ladder. Use an additional person to hold up the rear door lift Gate during installation of the Gas spring after the Gobi ladder has been installed.

## GOBI HONDA ELEMENT LADDER INSTALLATION INSTRUCTIONS

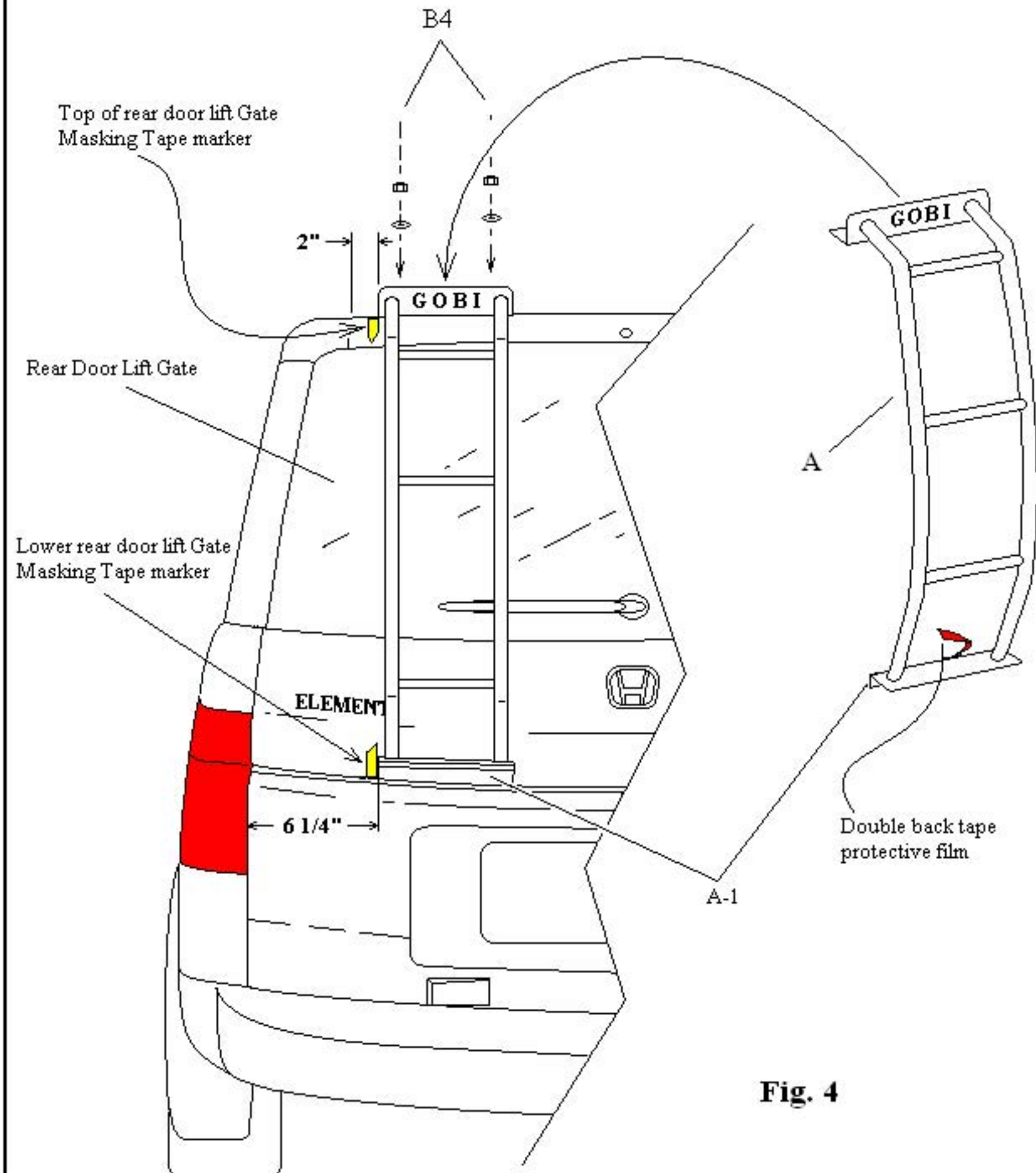
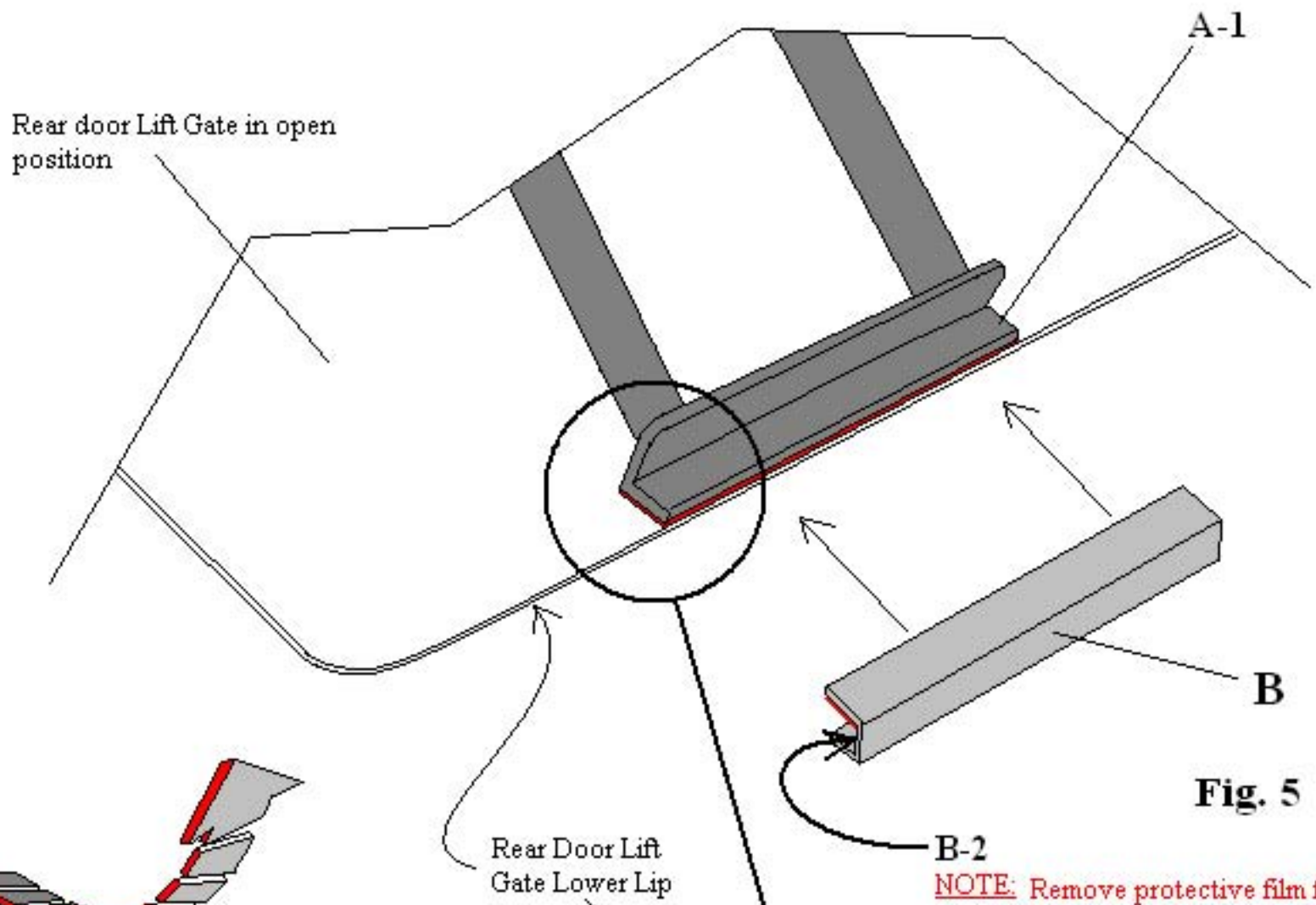
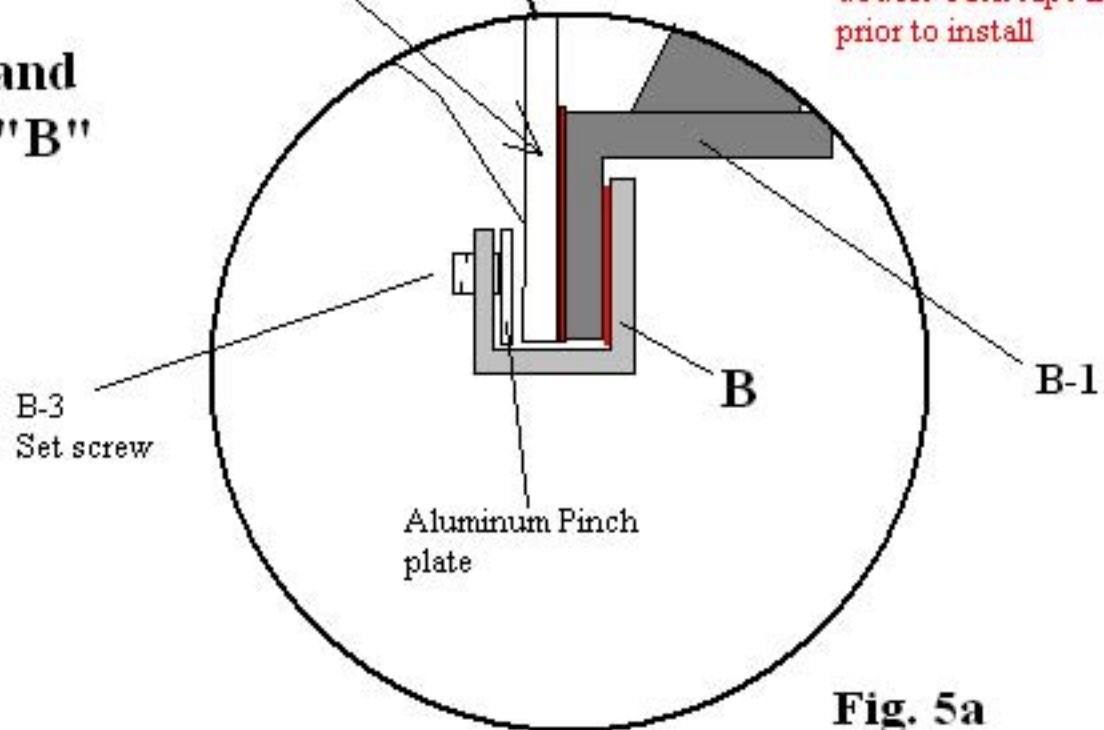


Fig. 4

## GOBI HONDA ELEMENT LADDER INSTALLATION INSTRUCTIONS



### Rear Door Open and Lifted for Clamp "B" installation



**NOTE:** Remove protective film from double back tape inside B-2 prior to install