

## GOBI H3 FULL SIZE ROOF RACK NO TIRE CARRIER SPECIFICATIONS

### SPECIFICATIONS:

PRODUCT TYPE	Hummer H3 vehicle luggage roof rack No Tire carrier with sun roof
WEIGHT	88 lbs(39.92kg)
LENGTH	96" (2.438M)
WIDTH	47" (1.9M)
HEIGHT	9 1/2" (.241M) down to 4 5/8" (.117M) at low point
PAINT	Black textured semi gloss Powder coat with Gray epoxy anti-rust undercoat
USABLE CARGO SPACE (with sun roof opening)	18 sq.ft (1.67m <sup>2</sup> )
USABLE CARGO SPACE (with out sun roof opening)	26sq. ft. (2.41m <sup>2</sup> )
LOAD LIMIT	300 lbs (111.97kg)
CARGO DECK	3/4" 9 gauge expanded metal welded in place
FRAME	16 gauge 1.0" (.025m) welded tubular frame
VEHICLE ATTACHMENT	8 - 3/16" (4.72mm) laser cut formed brackets black powder coated Gray epoxy anti-rust undercoat
FRONT LIGHT BAR	4 Place light bar for use with up to 8" diameter off road lights
REAR LIGHT BAR	2 independent rear light bars
FAIRING	44" (1.2M) Black powder coated aluminum wind deflector with 3 mounting brackets attached to front light Bar
HARDWARE	Stainless Steel

## GOBI FULL SIZE HUMMER H3 ROOF RACK INSTALLATION INSTRUCTIONS

### Guidelines:

When using Load Carriers and Accessories, the user must understand the precautions. The points listed below will assist you in using the rack /carrier system and will encourage safety.

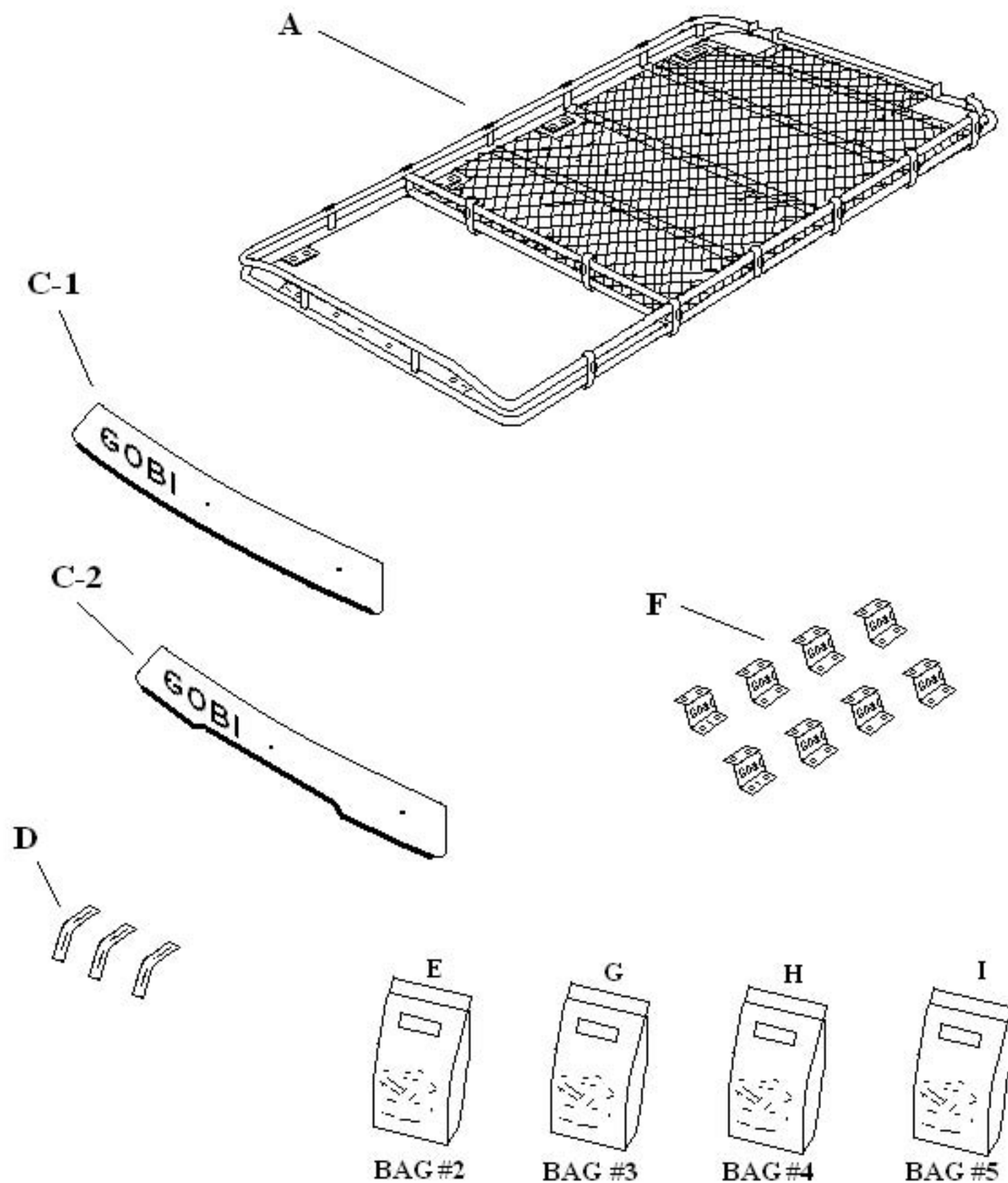
- For quality fits and safty, use only the recommended rack or accessory. Do not assume an accessory will fit, always check with dealer when obtaining new accessories. Use only approved accessories on load carriers. Using other brands will void your warrenty.
- Make sure all knobs, bolts, screws, straps, and locks are firmly attached, tightened and locked before every trip. Knobs, bolts, screws, straps, and locks must be periodically inspected for signs of wear, corrosion, and fatigue. Check your load at stops during the trip to insure continued fastening security.
- Check local and state laws governing projection of objects beyound the width of a vehicle. **Be aware of the width and height of your cargo since low clearance branches, bridges, and parking garages can affect the load** All cargo will affect the vehicle's driving behavior. Never drive with any lock, know, or rack in an open or unlocked position. All long loads such as, but not limited to sailboards, surfboards, kayaks, canoes, and lumber must be tied down front and rear to the bumpers or tow hooks, of the vehicle.
- Remove your rack accessories when they are not in use, before intering car washes, prior to taking in your vehicle for service, and whenever clearance may be an issue.
- All locks must be turned and moved periodically to insure smooth operation. Use graphite or similar dry lubricant to help this. Locks are designed to deter vandalism and theft. Remove valuable gear if your vehicle is unattended for an extended period. Place at least one key in the glove compartment.
- For safety to your vehicle and rack system, obey all posted speed limits and traffic cautions. Adapt your speed to the conditions of the road and the load being carried.
- Do not use load carriers and accessories for purposes other than those for which they were designed. Do not exceed their carrying capacity.
- Consult with your dealer if you have any questions regarding the operations and limits of this product. Review all instructions carefully.

## GOBI FULL SIZE HUMMER H3 ROOF RACK INSTALLATION INSTRUCTIONS

### Included in kit

Letter	Description	Location	Quantity
A	GOBI HUMMER H3 FULL SIZE ROOF RACK	Main box	1
B	FAIRING RUBBER PROTECTIVE STRIP	pre-assembled	1
C-1 or C-2	FAIRING C-1 Standard or C-2 Marker Light Bar Style (Determined upon initial order)	banded to rack	1
D	FAIRING BRACKETS (pre-assembled to fairing)	pre-assembled	4
E	FAIRING BRACKET HARDWARE CONTENTS: 3- 1/4-20x1 black zinc button bolt 6- 1/4" black washer 3- 1/4" lock washer 3- 1/4-20 wing nut	<b>BAG #2</b> Hardware Box	1
F	GOBI SUPPORT BRACKETS	Hardware Box	8
G	GOBI SUPPORT BRACKET HARDWARE CONTENTS: 6- "T" nut black zinc plated 12- 5/16"-18 x 1" Stainless button head screw 14- 5/16" Stainless washer 14- 5/16" Stainless lock washer 6- Rubber pad black 1- 5/16" allen wrench 2- 6mm x 60mm support bracket screws 2- 6mm washers 2- Plastic spacers 1- T-27 Torx drive wrench 1- 4mm allen wrench Inside Bag #3	<b>BAG #3</b> Hardware Box	1
H	GOBI SUPPORT BRACKET HARDWARE CONTENTS: 16- 3/8"-16 x 1" Stainless bolt 32- 3/8" Stainless washer 16- 3/8" Nylock nuts 8- Rubber pad black	<b>BAG #4</b> Hardware Box	1
I	GOBI DRIVING/FOG LIGHT SPACER WASHER CONTENTS: 28- washer black zinc (not required for Stealth roof rack)	<b>BAG #5</b> Driving/Fog Light Spacer Washers	1

## GOBI FULL SIZE HUMMER H3 ROOF RACK INSTALLATION INSTRUCTIONS

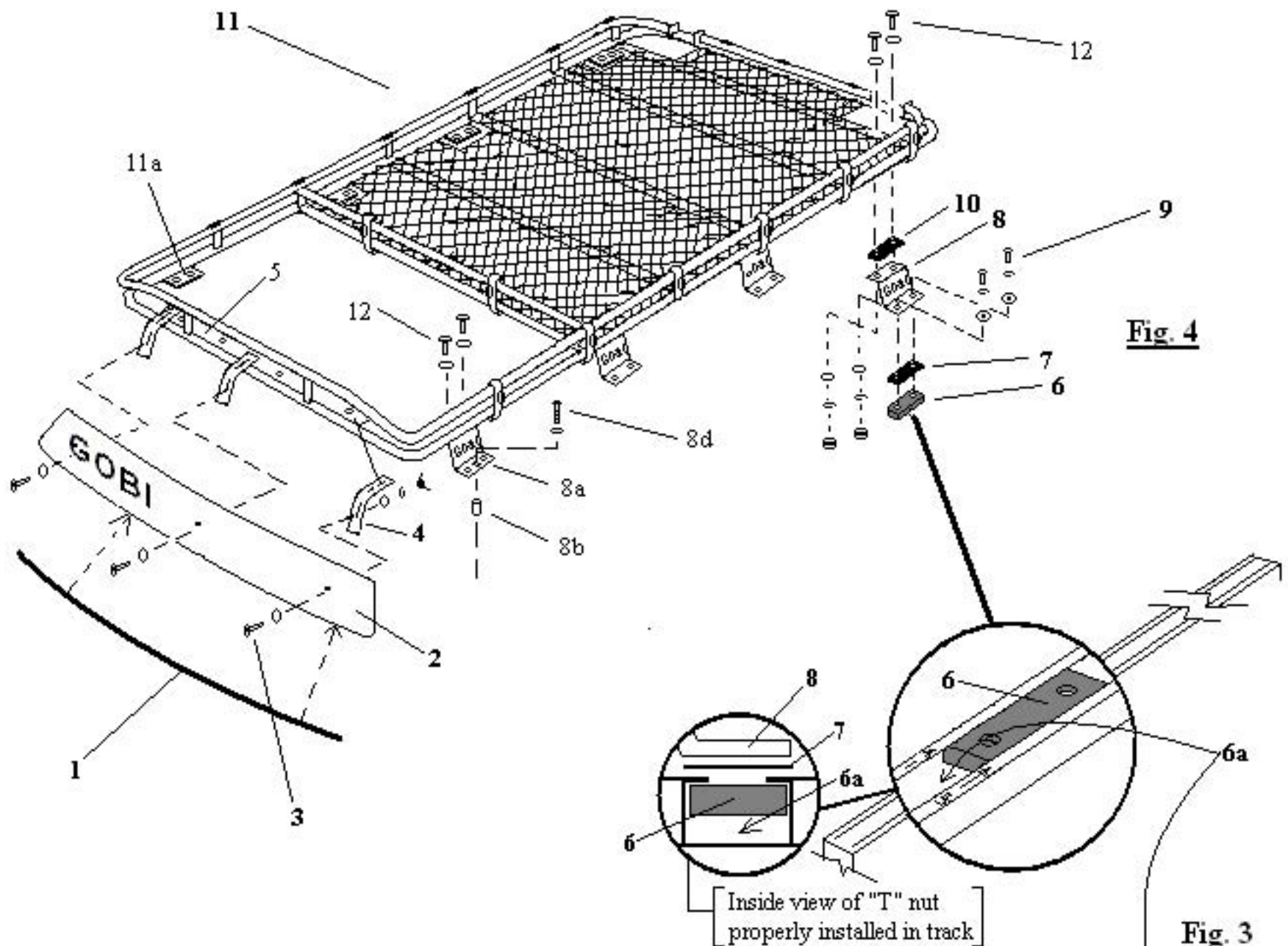


## GOBI FULL SIZE HUMMER H3 ROOF RACK INSTALLATION INSTRUCTIONS

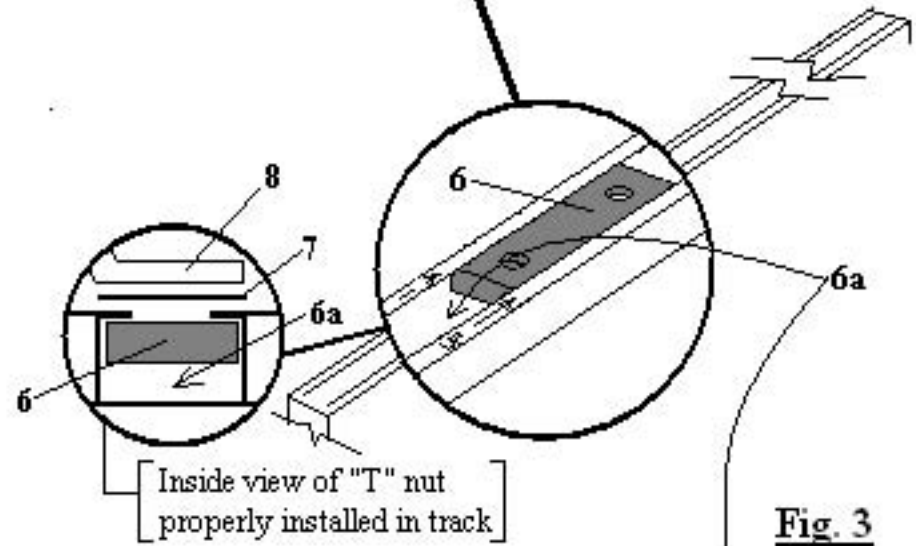
The rack must be inspected before each use to make certain attachments are secure, and for evidence of Wear. Misuse of the rack or failure to observe the manufacturer's instructions as to installation, proper Attachment and maintenance will void any warranties that may be implied by law.

1. Using the hardware list on page 2 of the Gobi instruction manual check to verify that all hardware is present prior to installation.
2. Remove factory OEM cross bars at this time they are no longer needed.
3. **Plastic Bag labeled #3** Remove "T" nuts #6 shown in Fig. 2, 3 and 4 on page 5 and install all 6 "T" nuts as shown and dimensioned in Fig. 2, 3 and 5 on page 5 and page 6. Place on top of OEM factory roof track above each "T" nut rubber pads #7 as shown in Fig. 3 page 5. Using the 5/16" button head screws, washer and lock washers found in bag 3 install all 6 Gobi support brackets labeled "REAR" onto the rubber pads #7 above each "T" nut as shown in Fig. 4 and Fig. 3 page 5. Finger tighten only at this time.
4. Remove OEM screws 8c Fig. 5 page 7 from vehicle roof trim using the T-27 Torx wrench located in bag 3. Install plastic spacer 8b found in bag 3 into the H3 roof trim well and place the Gobi support bracket labeled "FRONT" over the spacer as shown in Fig. 6 page 6. Continue by using the 4mm allen wrench located in bag 3 and place the 6mm x 60mm metric screw and washer through the center slot of the Gobi support bracket 8a and down through the plastic spacer 8b then into vehicle roof and snug down as shown in Fig. 6 page 6. Do not tighten fully at this time.
5. Place Gobi rack #11 Fig. 4 page 5 onto the 8 installed Gobi brackets. Take "CAUTION" while lifting the Gobi rack onto the vehicle roof top so as not to damage the X-fm radio antenna. Align bolt holes of welded in brackets #11a Fig. 4 page 5 to Gobi support bracket bolt holes.  
**Plastic Bag labeled #4** remove bolts, washers and nuts #12 Fig. 4 page 5 and attach roof rack to Gobi support brackets as shown in Fig. 4 page 5. After all bolts have been installed fully tightening all Gobi support brackets #8 to vehicle roof track using the 5/16" and 4mm allen wrenches located in bag 3. Do not over tighten. Fully tighten the remaining #12 nuts and bolts Fig. 4 page 5 completely.
6. Fairing installation is determined by the vehicle roof trim. A C-1 fairing shown on page 3 is designed to fit roof lines with no exterior trim. A C-2 fairing also shown on Page 3 is designed for a roof line with "Marker Light Bar" trim. The markings C-1 or C-2 on the outside of the fairing packaging is the code denoting the type of fairing which has been shipped with your Gobi rack. Referring to page 7 Fig. 7 position the fairing so that the center fairing bracket #4 is on the center of the light bar fairing slot #5a. If you are attaching a C-2 fairing make sure that the fairing is positioned behind the Marker lights as shown in Fig. 8 page 7. **Plastic Bag Labeled #2** remove screws and begin by attaching the center fairing bracket #4 to the light bar #5 Fig. 4 page 5 and Fig. 7 page 7 leave approximately 1 to 2 inches of space between the fairing and the roof rack tubing. Once the center is attached snug down do not tighten fully at this time. Pull the outsides of the fairing close to the roof rack and attach screws causing a curve to form in the fairing. Make sure the fairing is tight against the roof line or "Marker Light Bar" trim and evenly spaced from both ends of the fairing to the roof rack then tighten completely.

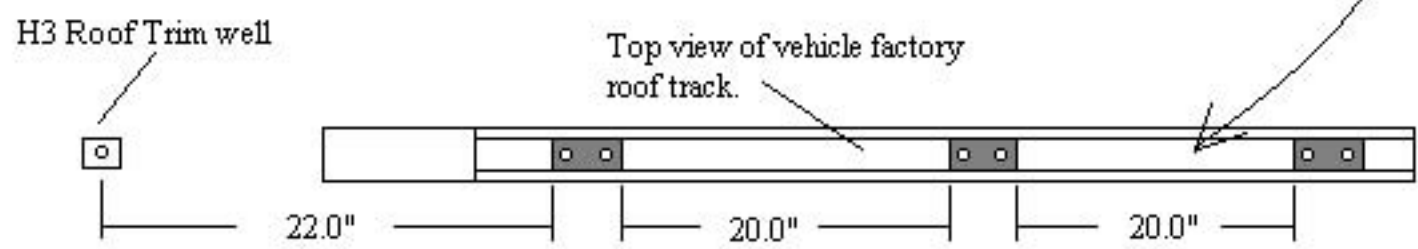
## GOBI FULL SIZE HUMMER H3 ROOF RACK INSTALLATION INSTRUCTIONS



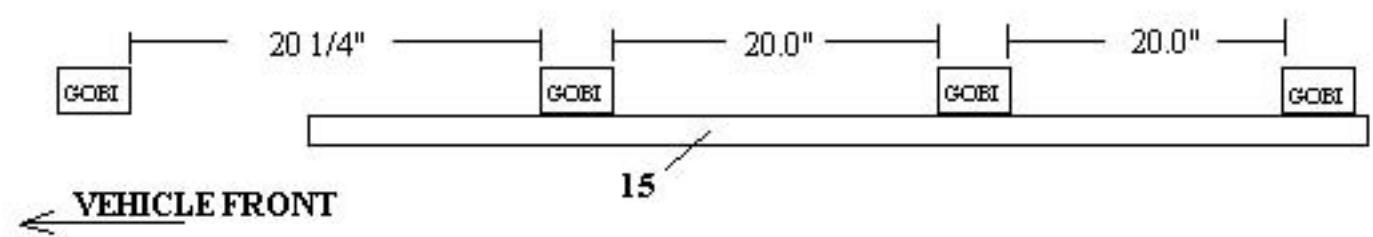
**Fig. 4**



**Fig. 3**

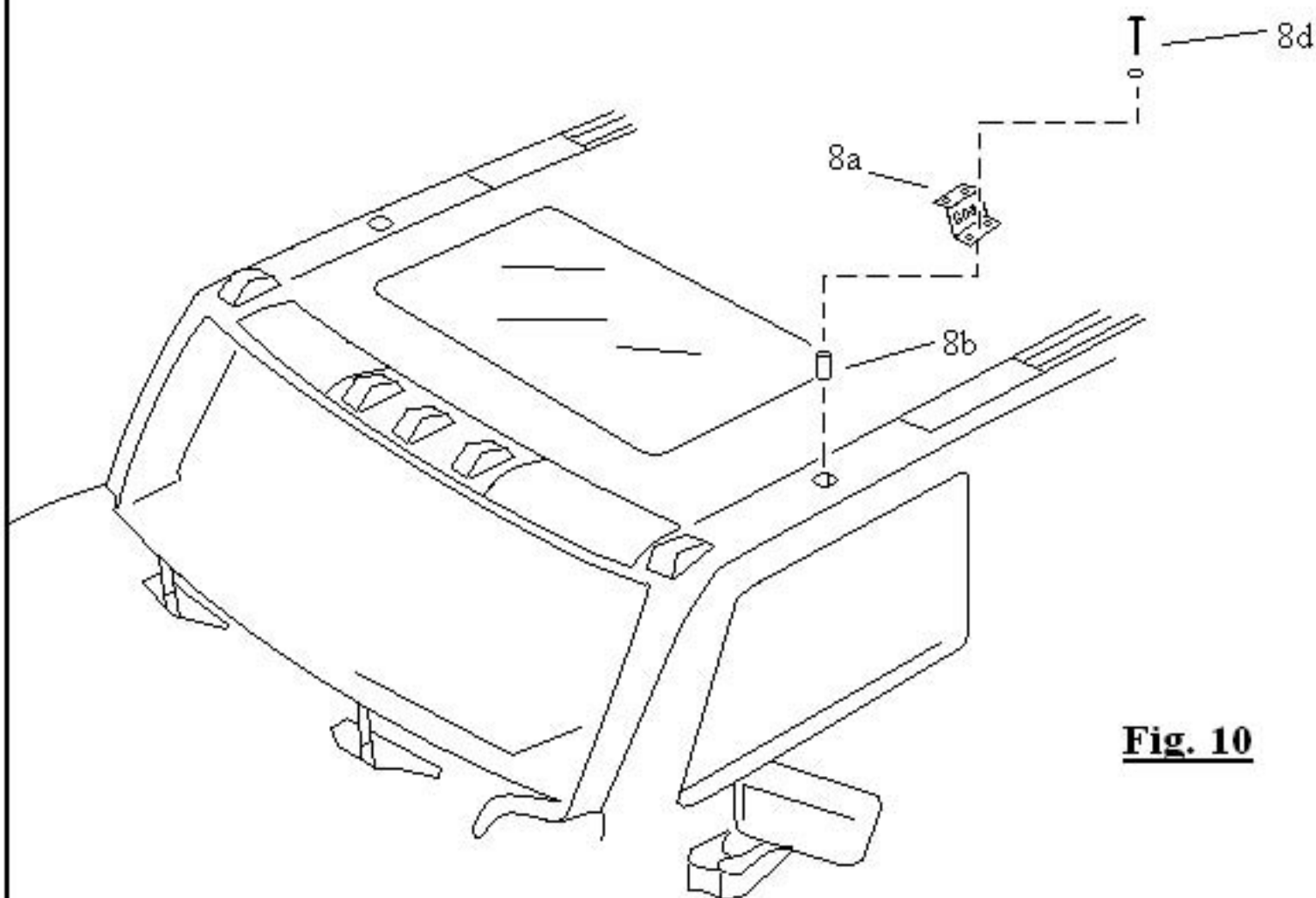
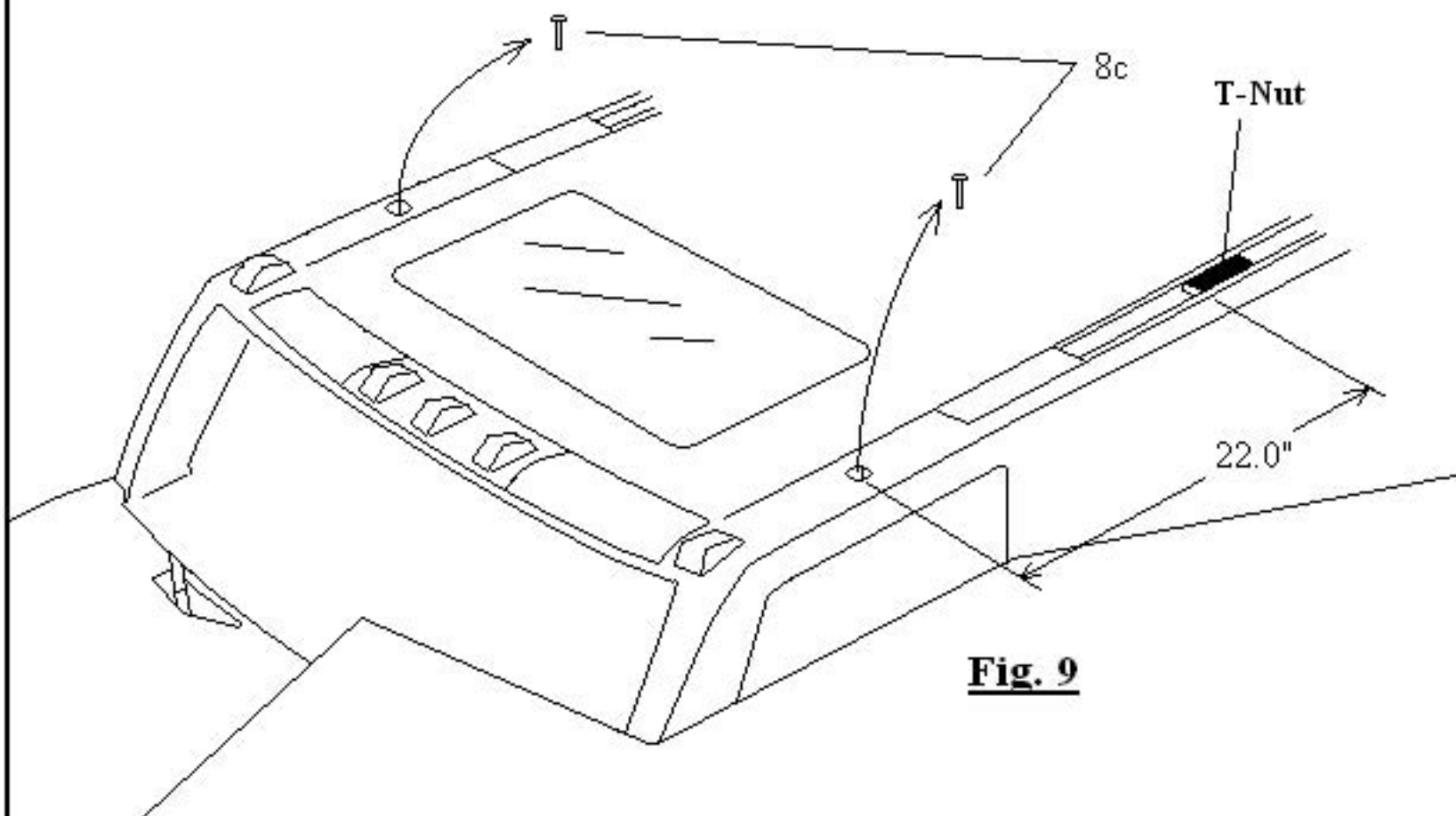


**Fig. 2**

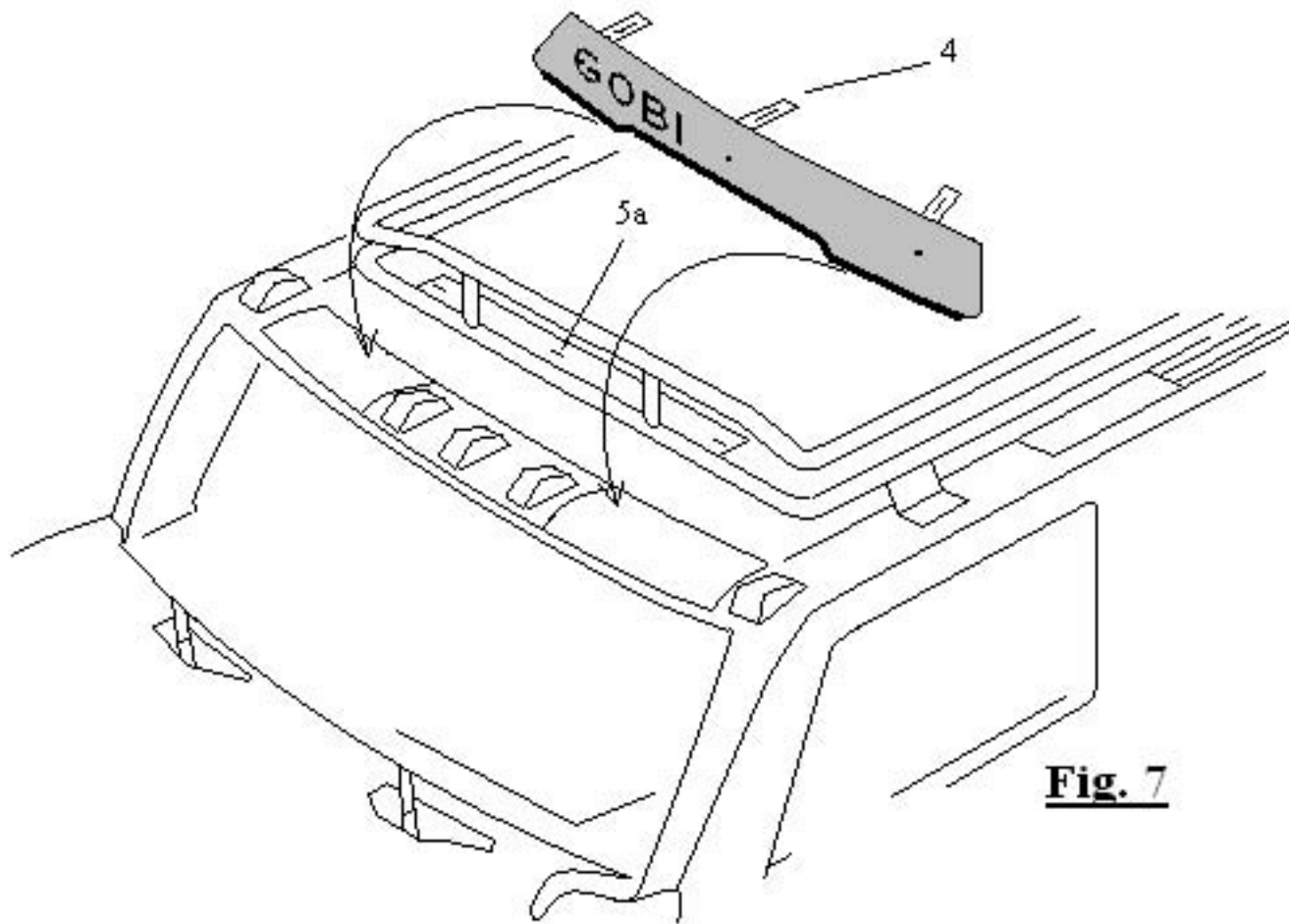


**Fig. 1**

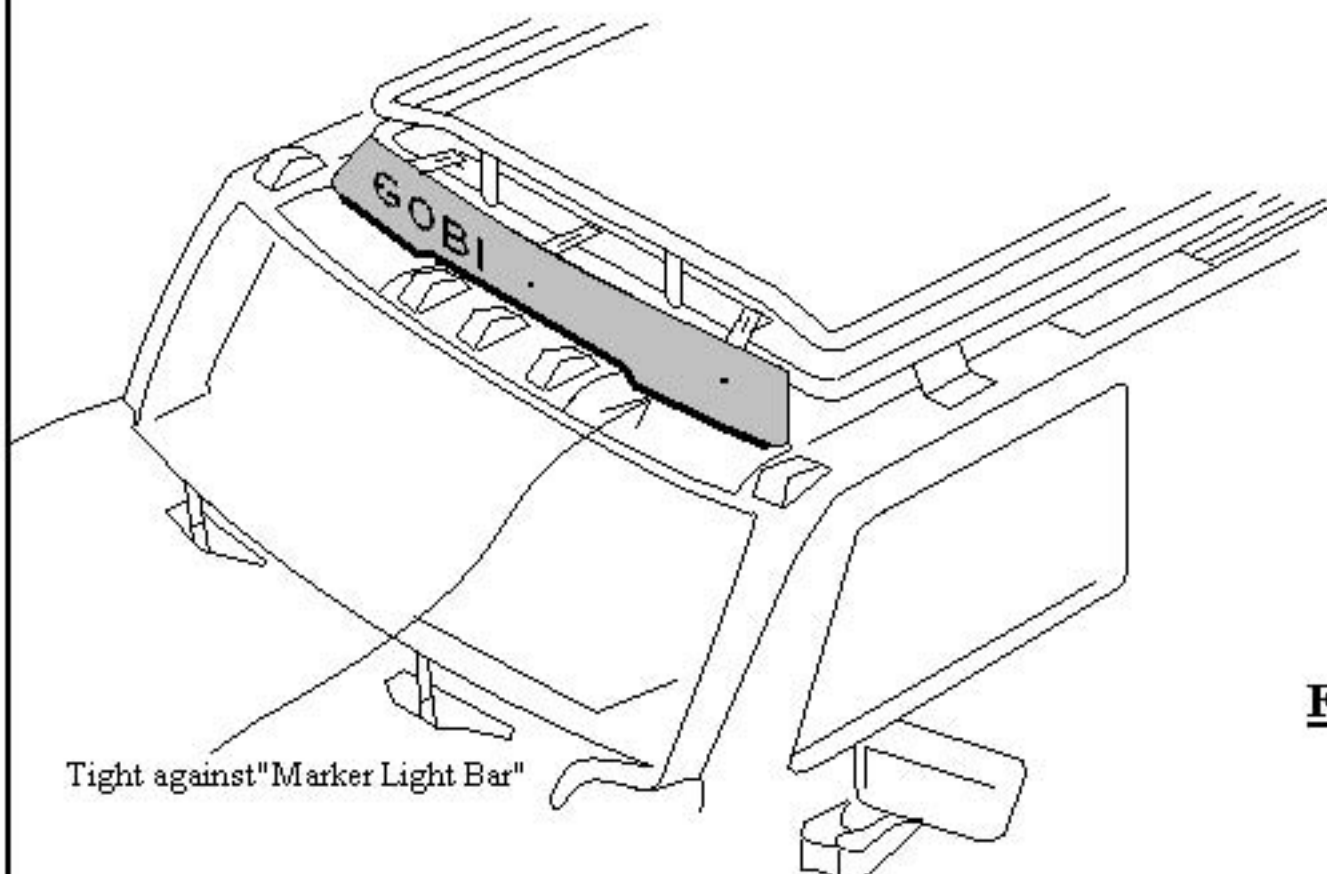
## GOBI FULL SIZE HUMMER H3 ROOF RACK INSTALLATION INSTRUCTIONS



## GOBI FULL SIZE HUMMER H3 ROOF RACK INSTALLATION INSTRUCTIONS



**Fig. 7**



**Fig. 8**