

GOBI LAND ROVER DISCOVERY II FULL SIZE ROOF RACK INSTALLATION INSTRUCTIONS

Guidelines:

When using Load Carriers and Accessories, the user must understand the precautions. The points listed below will assist you in using the rack /carrier system and will encourage safety.

- For quality fits and safety, use only the recommended rack or accessory. Do not assume an accessory will fit, always check with dealer when obtaining new accessories. Use only approved accessories on load carriers. Using other brands will void your warranty.
- Make sure all knobs, bolts, screws, straps, and locks are firmly attached, tightened and locked before every trip. Knobs, bolts, screws, straps, and locks must be periodically inspected for signs of wear, corrosion, and fatigue. Check your load at stops during the trip to insure continued fastening security.
- Check local and state laws governing projection of objects beyond the width of a vehicle. **Be aware of the width and height of your cargo since low clearance branches, bridges, and parking garages can affect the load** All cargo will affect the vehicle's driving behavior. Never drive with any lock, knob, or rack in an open or unlocked position. All long loads such as, but not limited to sailboards, surfboards, kayaks, canoes, and lumber must be tied down front and rear to the bumpers or tow hooks, of the vehicle.
- Remove your rack accessories when they are not in use, before entering car washes, prior to taking in your vehicle for service, and whenever clearance may be an issue.
- All locks must be turned and moved periodically to insure smooth operation. Use graphite or similar dry lubricant to help this. Locks are designed to deter vandalism and theft. Remove valuable gear if your vehicle is unattended for an extended period. Place at least one key in the glove compartment.
- For safety to your vehicle and rack system, obey all posted speed limits and traffic cautions. Adapt your speed to the conditions of the road and the load being carried.
- Do not use load carriers and accessories for purposes other than those for which they were designed. Do not exceed their carrying capacity.
- Consult with your dealer if you have any questions regarding the operations and limits of this product. Review all instructions carefully.

GOBI LAND ROVER DISCOVERY II FULL SIZE ROOF RACK INSTALLATION INSTRUCTIONS

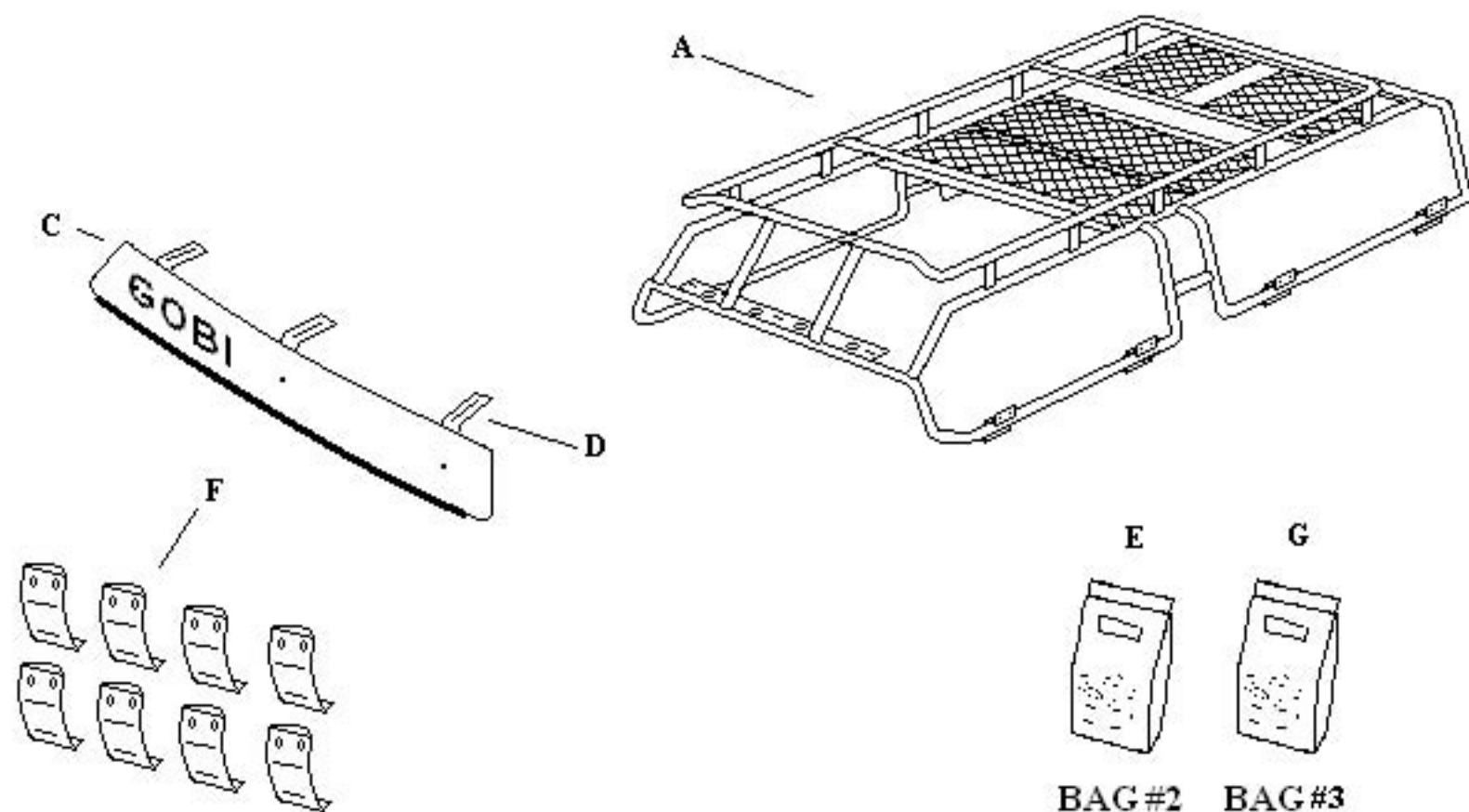
Tools Required:

- 1- 5/32" Allen Wrench**
- 1- 7/16" Open and Boxed end Wrench**

GOBI LAND ROVER DISCOVERY II FULL SIZE ROOF RACK INSTALLATION INSTRUCTIONS

Included in kit

Letter	Description	Location	Quantity
A	LAND ROVER DISCOVERY II ROOF RACK	Main box	1
B	FAIRING RUBBER PROTECTIVE STRIP	pre-assembled	1
C	FAIRING	banded to rack	1
D	FAIRING BRACKETS (pre-assembled to fairing)	pre-assembled	3
E	FAIRING BRACKET HARDWARE CONTENTS: 3- 1/4-20x1 SS Button head screw 6- 1/4" Black nylon washer 3- 1/4-20 Nylok nut	BAG #2 Hardware Box	1
F	GOBI CLAMP COVER PLATES	Hardware Box	8
G	GOBI SUPPORT BRACKET HARDWARE CONTENTS: 16- 1/4-20 X 1" SS Carriage bolts 16- 1/4" SS Flat washer 16- 1/4" SS Lock washer 16- 1/4" SS Nut 1- 1/4-20 x 1 1/2" Socket Set Screw tool 1- 3/16" Allen wrench adjusting tool	BAG #3 Hardware Box	1



GOBI LAND ROVER DISCOVERY II FULL SIZE ROOF RACK INSTALLATION INSTRUCTIONS

INSTALLATION INSTRUCTIONS:

- 1- Refer to page 3 and make sure all hardware is present prior to install
- 2- Read all instructions carefully prior to install.
- 3- Refer to page 6 Fig. 1 remove Gobi roof rack (A) from packaging and **DO NOT** place clamp cover plates (F) onto roof rack at this time. With the help of two to four persons position the front of the Gobi roof rack (A) vertically then lift over the rear of the vehicle and onto the roof top gutters as shown by arrow at rear view of vehicle. Line up rear welded on support bracket tab #2 both driver and passenger sides of roof rack (A) 6 -3/4" from the rear vehicle seam #9 as shown in Fig. 1. Make certain all eight welded on support tabs #2 are seated on gutter #8 as shown in Fig. 2 (A),(B) and (C).
- 4- Refer to page 6 Fig. 2 and remove all clamp plates (F) from hardware kit as shown on page 3. Place each clamp cover plate over each welded on tab #2 as shown on Fig. 2 (A) then place 1/4-20 x 1" carriage bolt screws #3 located in Bag # 3 of your hardware kit through slots on cover plate and into welded on tabs holes and secure in place by a stainless steel washer, lock washer and nut. Finger tighten all carriage bolts on all eight clamp cover plates only at this time.
- 5- Refer to page 6 Fig. 2 and remove the 1/4-20 x 2" Allen cap screw #6 and 3/16" Allen wrench #7 from Bag #3 of your hardware kit. Refer to Fig. 2 (B) and thread the 1/4-20 x 2" Allen cap screw #6 into the top of each clamp cover plate one at a time. Turn screw #6 clockwise until you raise the cover plate (F) in the direction of "E" as shown in Fig. 2 (C) until you have pulled the cover plate up enough to secure the roof rack firmly to the vehicle roof gutter. Continue by fully tightening the two carriage bolts #3 on the clamp cover plate (F) using a 7/16" open end wrench. Once both carriage bolts have been completely secured in place remove the 1/4-20 x 2" Allen cap screw #6 and complete the same procedure to each of the remaining seven cover plate clamps (F). When you have completed the tightening procedure remove screw #6 and store both the 3/16" Allen wrench and 1/4-20 x 2" screw in your glove box for future use.

GOBI LAND ROVER DISCOVERY II FULL SIZE ROOF RACK INSTALLATION INSTRUCTIONS

INSTALLATION INSTRUCTIONS CONT.

- 6- Refer to page 7 Fig.3 Fairing comes preassembled with fairing brackets #4 attached. The position of each attached fairing bracket may not be fixed at the proper height for your particular roof line. Adjustments may have to be made in order for the fairing to conform correctly to your vehicle's roof line. Begin by attaching the fairing's center bracket #4 to the middle slot #5a of the Gobi roof racks light bar #5 shown on page 7 Fig. 3. Use the 1/4" screws, flat black nylon washers and Nylock nuts located in Bag #2 of your hardware kit. Provide approximately a 2" gap between the fairing and the Gobi rack outer tube as shown on page 7 Fig. 4a. Tighten down the center nut and screw at this time. Proceed to either the passenger or drivers side and pull the fairing in the direction of the arrows on page 7 Fig. 4 letters "F" and "G" while pushing down on the fairing towards the vehicle roof top at the same time. Pull each side until the fairing either makes contact with the Gobi roof rack or comes in close proximity. Align fairing brackets #6 to the Gobi light bar fairing slots at the ends of the Gobi light bar #5 (*fairing brackets may appear to be slightly tilted against the light bar but this is normal and brackets will flatten out after tightening*) and insert the 1/4" screw and flat black nylon washer through fairing bracket #6 then through the Gobi light bar slot and secure the fairing in place with the 1/4" black nylon washer and Nylock nut. Proceed to the opposite side and continue attaching the fairing in the same manner. Be sure that the fairing throughout its length is making contact with the roof top as snug as possible. Fairing brackets may need to be adjusted either up or down and in some cases you may bend the fairing bracket to accommodate the final result. Once the fairing is in the proper position tighten all fairing bracket screws firmly. Roof rack installation is complete.

GOBI LAND ROVER DISCOVERY II FULL SIZE ROOF RACK INSTALLATION INSTRUCTIONS

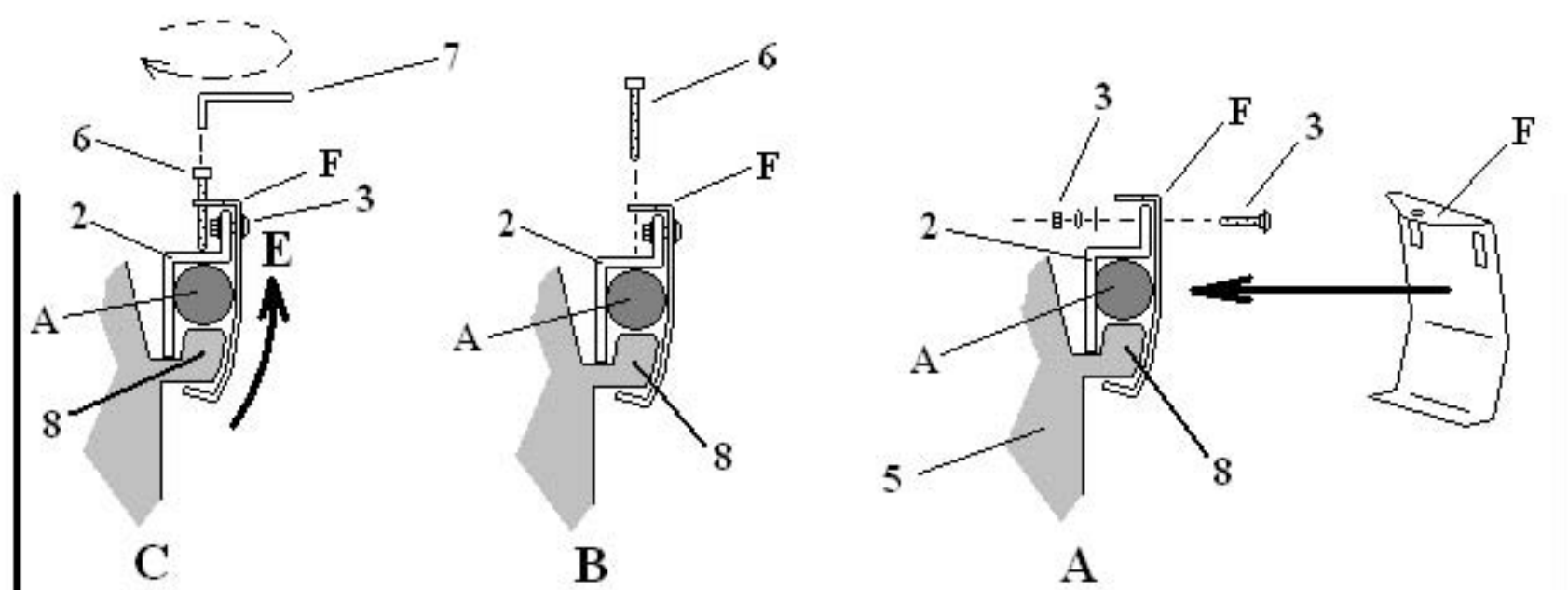


Fig. 2

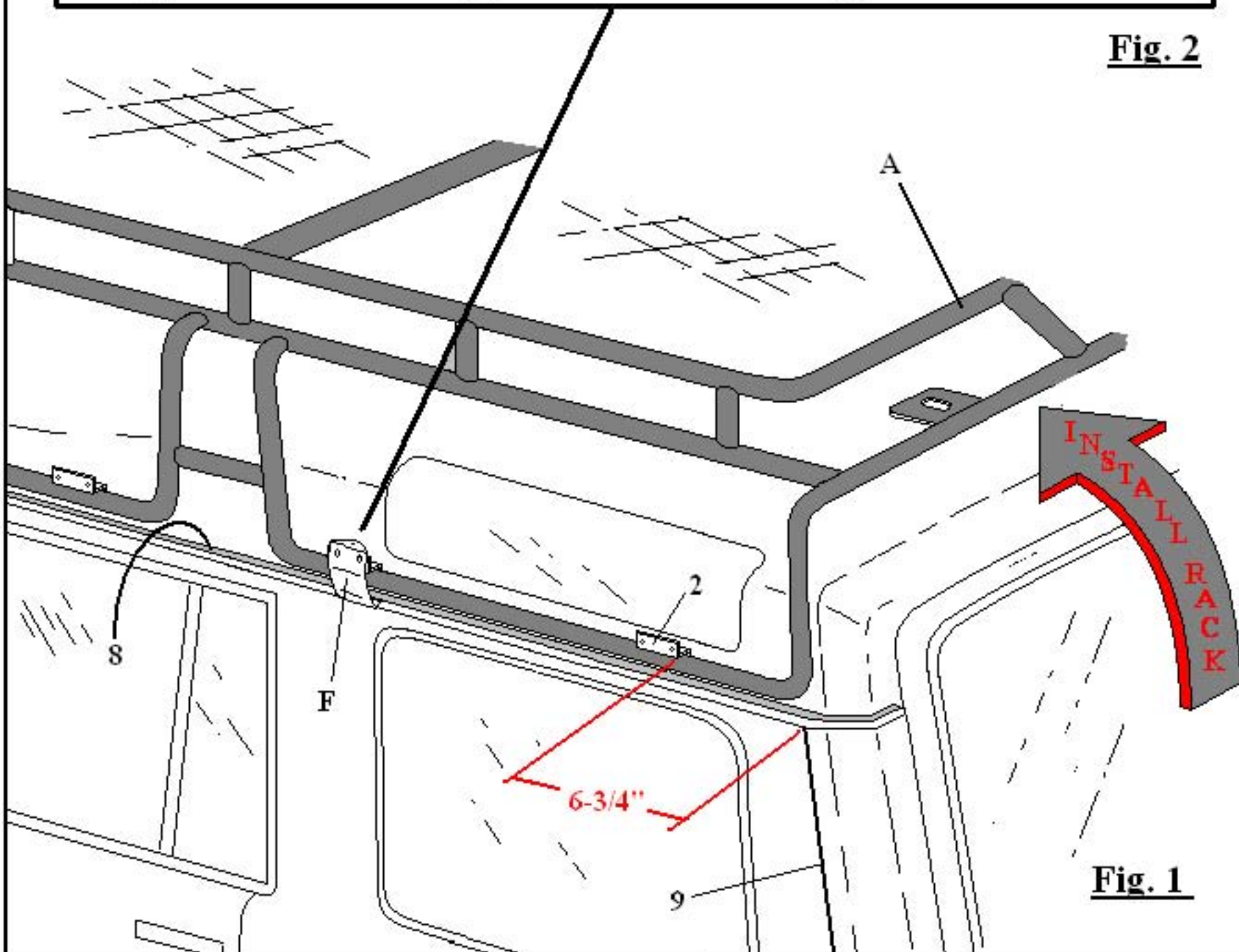


Fig. 1

GOBI LAND ROVER DISCOVERY II FULL SIZE ROOF RACK INSTALLATION INSTRUCTIONS

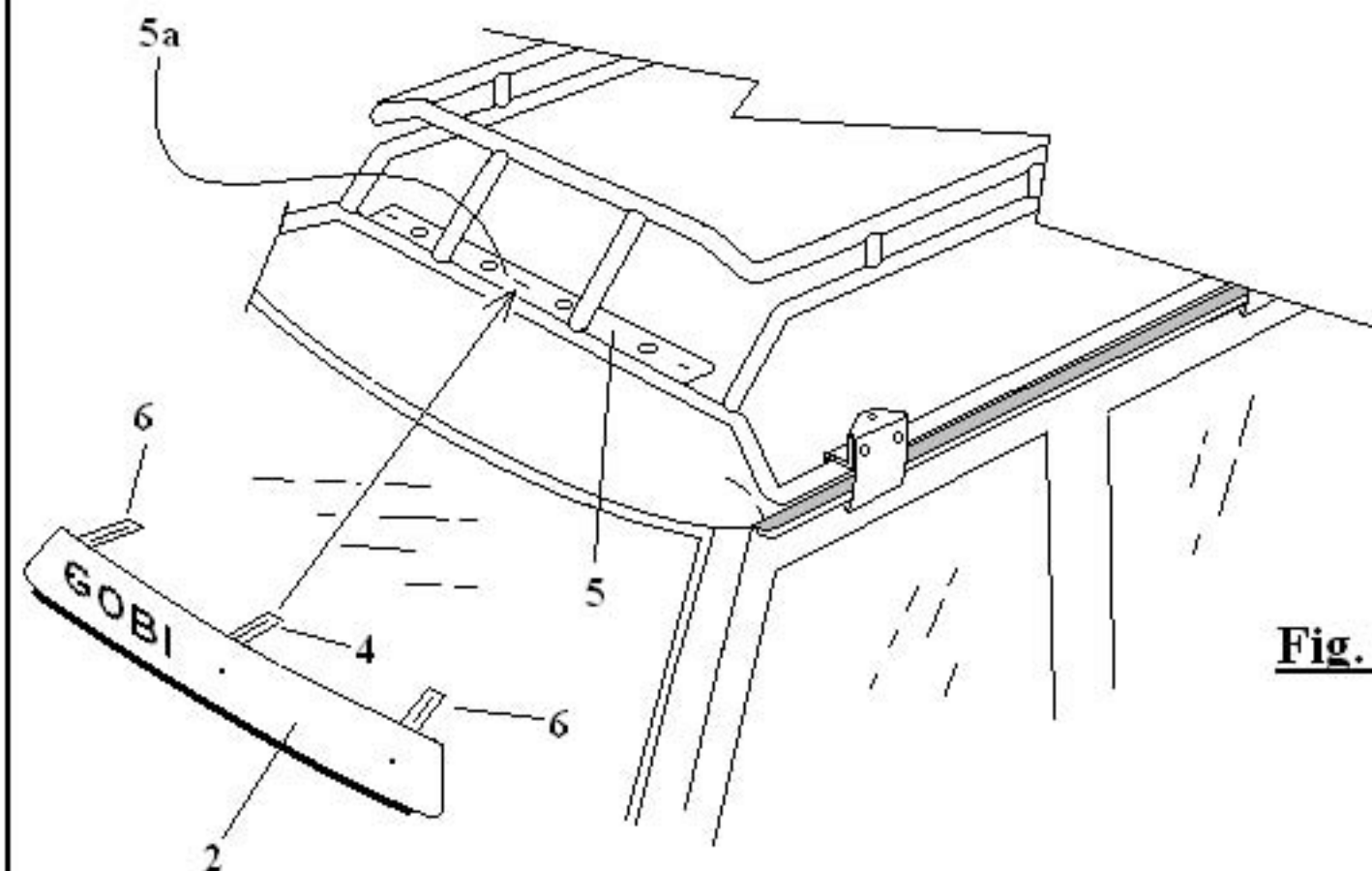


Fig. 3

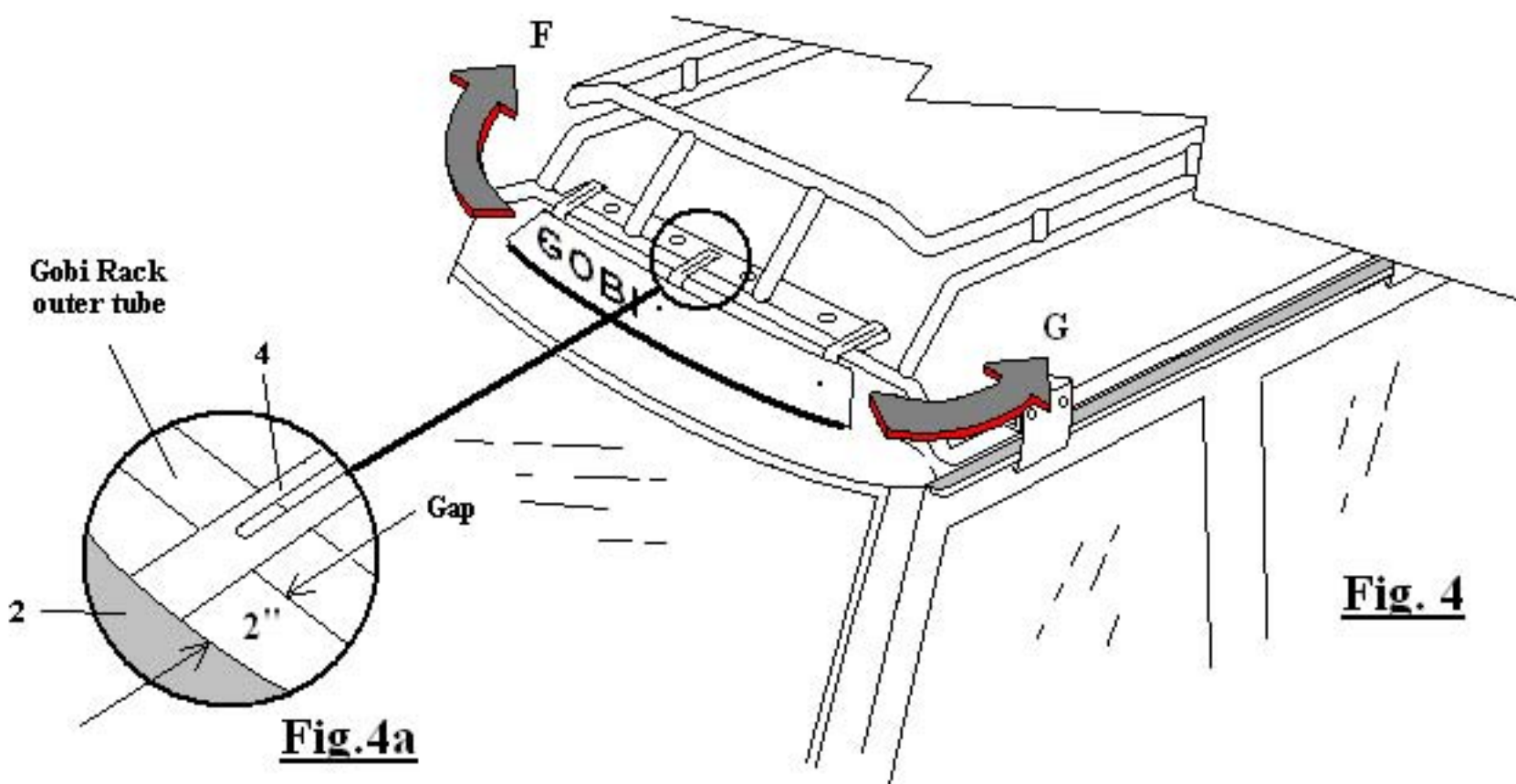


Fig. 4

Fig. 4a