

GOBI NISSAN XTERRA HIGH LIFT JACK ATTACHMENT INSTALLATION INSTRUCTIONS

Guidelines:

When using Load Carriers and Accessories, the user must understand the precautions. The points listed below will assist you in using the rack /carrier system and will encourage safety.

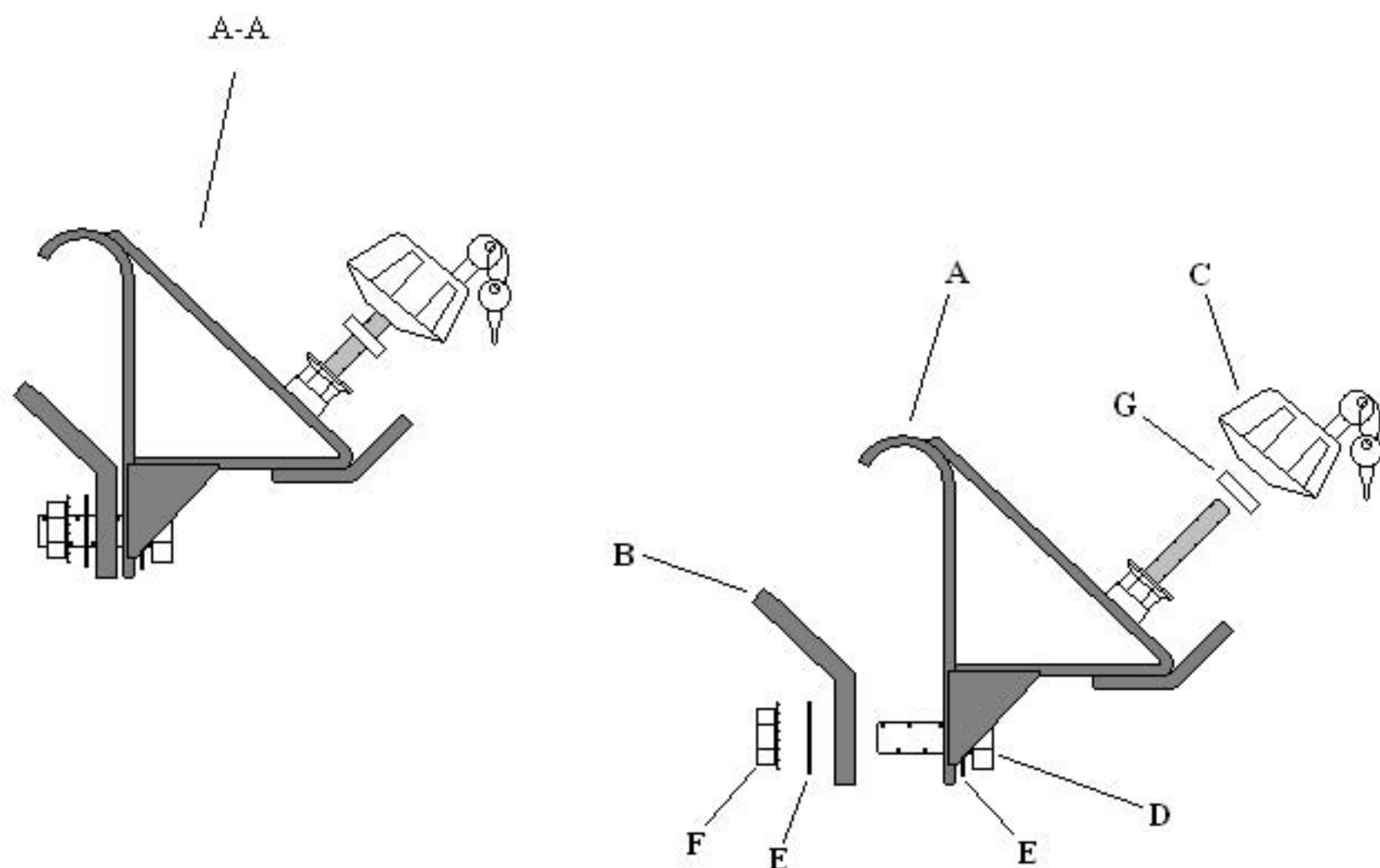
- For quality fits and safety, use only the recommended rack or accessory. Do not assume an accessory will fit, always check with dealer when obtaining new accessories. Use only approved accessories on load carriers. Using other brands will void your warranty.
- Make sure all knobs, bolts, screws, straps, and locks are firmly attached, tightened and locked before every trip. Knobs, bolts, screws, straps, and locks must be periodically inspected for signs of wear, corrosion, and fatigue. Check your load at stops during the trip to insure continued fastening security.
- Check local and state laws governing projection of objects beyond the width of a vehicle. **Be aware of the width and height of your cargo since low clearance branches, bridges, and parking garages can affect the load** All cargo will affect the vehicle's driving behavior. Never drive with any lock, knob, or rack in an open or unlocked position. All long loads such as, but not limited to sailboards, surfboards, kayaks, canoes, and lumber must be tied down front and rear to the bumpers or tow hooks, of the vehicle.
- Remove your rack accessories when they are not in use, before entering car washes, prior to taking in your vehicle for service, and whenever clearance may be an issue.
- All locks must be turned and moved periodically to insure smooth operation. Use graphite or similar dry lubricant to help this. Locks are designed to deter vandalism and theft. Remove valuable gear if your vehicle is unattended for an extended period. Place at least one key in the glove compartment.
- For safety to your vehicle and rack system, obey all posted speed limits and traffic cautions. Adapt your speed to the conditions of the road and the load being carried.
- Do not use load carriers and accessories for purposes other than those for which they were designed. Do not exceed their carrying capacity.
- Consult with your dealer if you have any questions regarding the operations and limits of this product. Review all instructions carefully.

GOBI NISSAN XTERRA HIGH LIFT JACK ATTACHMENT

INSTALLATION INSTRUCTIONS

Included in kit:

Letter	Description	Quantity
A-A	High Lift Jack Bracket Complete	2
A	High Lift Jack Bracket	2
B	High Lift Jack Bracket Clamp	2
C	Locking Security Knob with Keys	2
D	3/8-16 x 1" Stainless bolt	2
E	3/8" Stainless Steel Flat washer	4
F	3/8" Stainless Steel K-lock nut	2
G	Plastic spacer	2



GOBI NISSAN XTERRA HIGH LIFT JACK ATTACHMENT INSTALLATION INSTRUCTIONS

To begin the installation process refer to Fig. 1 and Fig. 2 below illustrating the placement of the High Lift Jack on the driver's side rear section of the Gobi roof rack. This will allow the user easy accessibility to the High Lift jack while providing the lowest overall position on the roof rack to prevent entanglement with low lining obstacles such as tree limbs, garages and underground parking structures.

Continue the installation process on page 4.

Top View

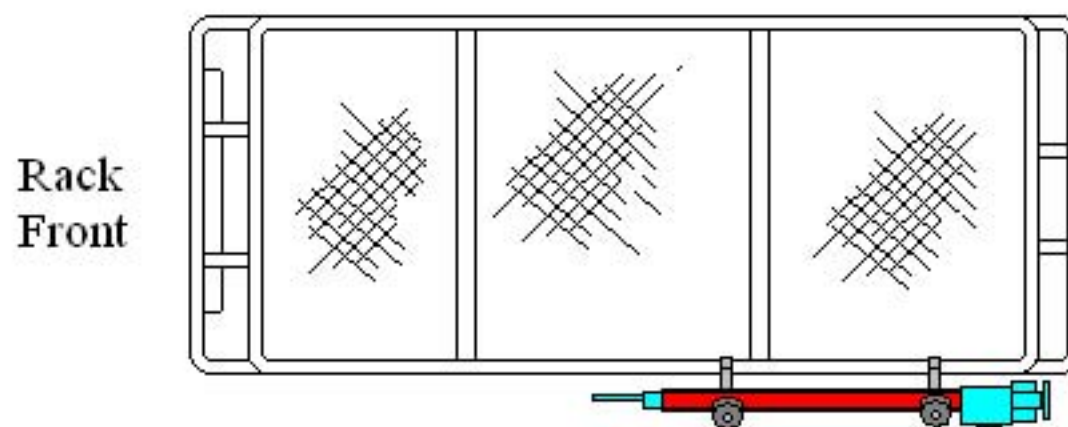


Fig. 1

Side View

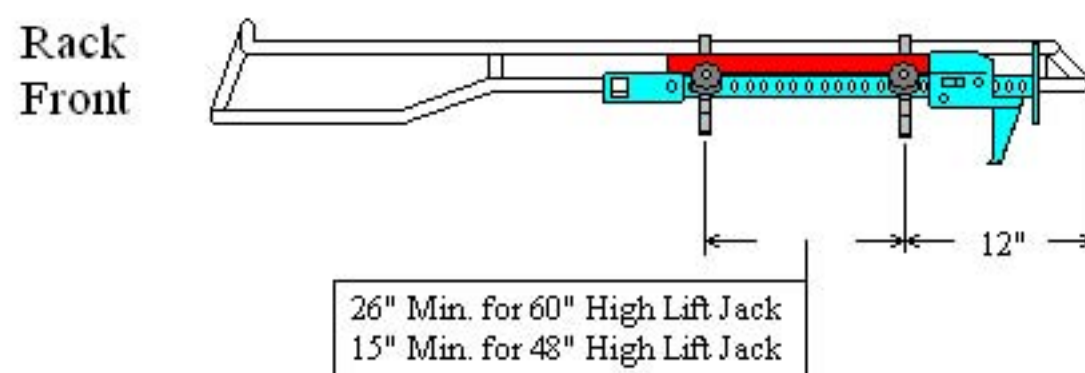
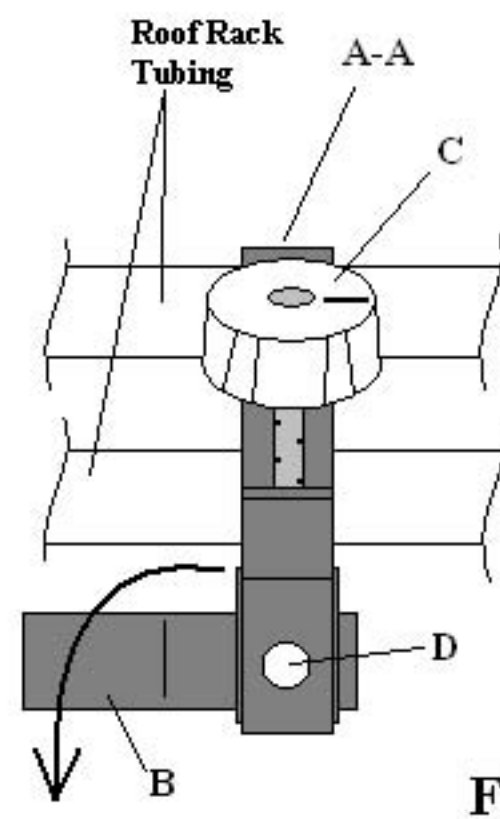
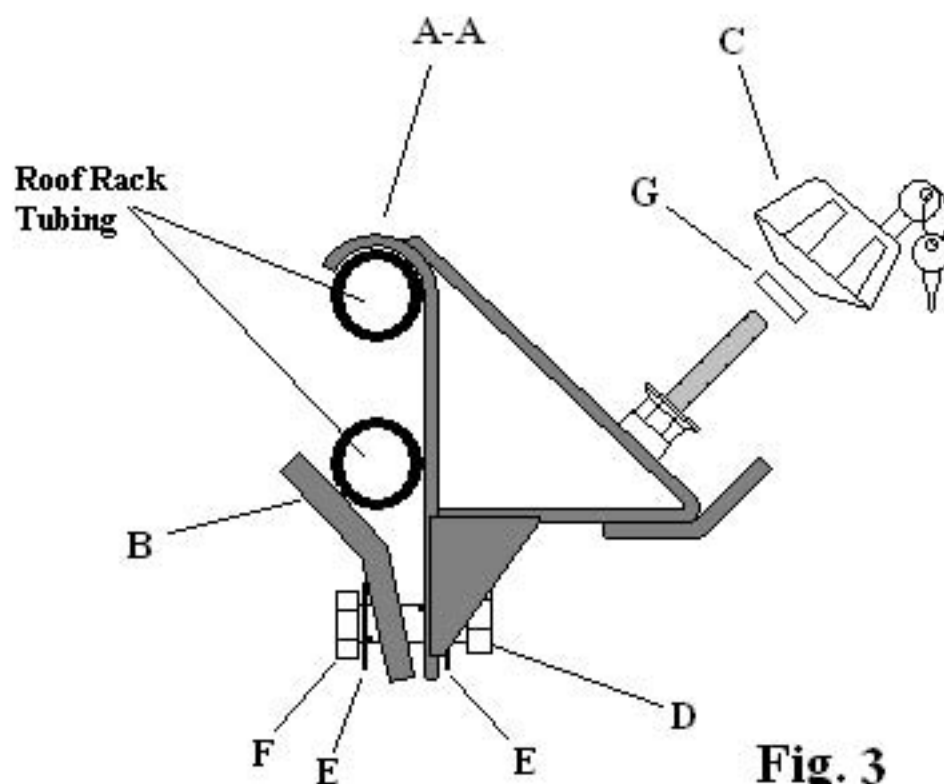


Fig. 2

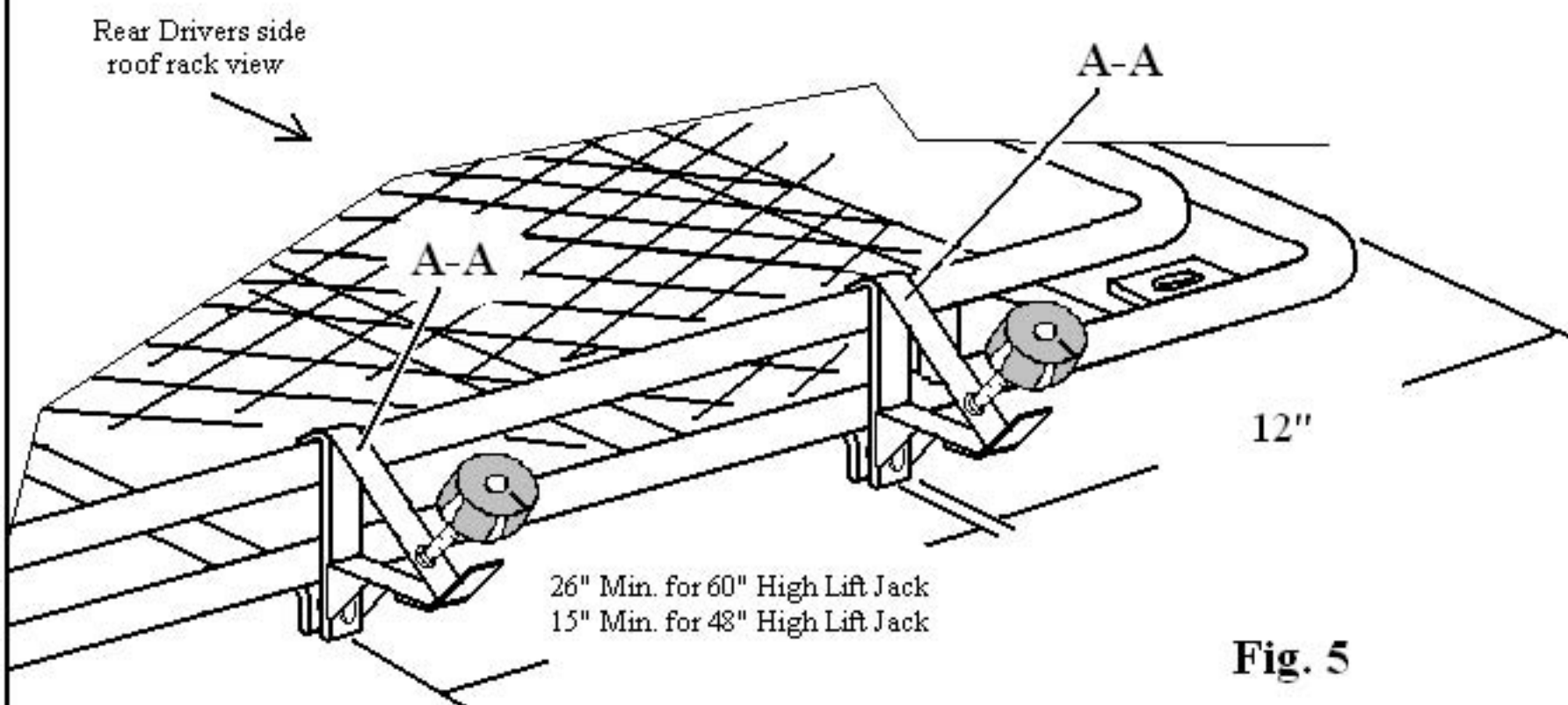
GOBI NISSAN XTERRA HIGH LIFT JACK ATTACHMENT INSTALLATION INSTRUCTIONS

- 1- Referring to page 4 Fig. 4 loosen bolt "D" and swing clamp "B" either to the right or left of the High Lift jack bracket "A-A". Place the hook end of the High Lift Jack bracket "A-A" on the top roof rack tube as shown in Fig. 3 and 4 on page 4 at approximately 12" from the end of the Gobi roof rack as shown in Fig. 5 page 5 then swing clamp "B" back to it's upright position as shown in Fig. 3 page 4 and fully tighten bolts and nuts "D" and "F" at this time.



GOBI NISSAN XTERRA HIGH LIFT JACK ATTACHMENT INSTALLATION INSTRUCTIONS

- 2- Refer to page 5 Fig. 5 and continue to the second bracket choose the distance provided on page 5 Fig. 5 for the length of your High Lift jack then attach the second bracket "A-A" in the same manner on the roof rack tubing. Partially tighten the second High Lift jack bracket "A-A" at this time.
- 3- Remove both High Lift jack bracket locking knobs "C" and spacers "G" as shown in Fig. 3 page 4 at this time.

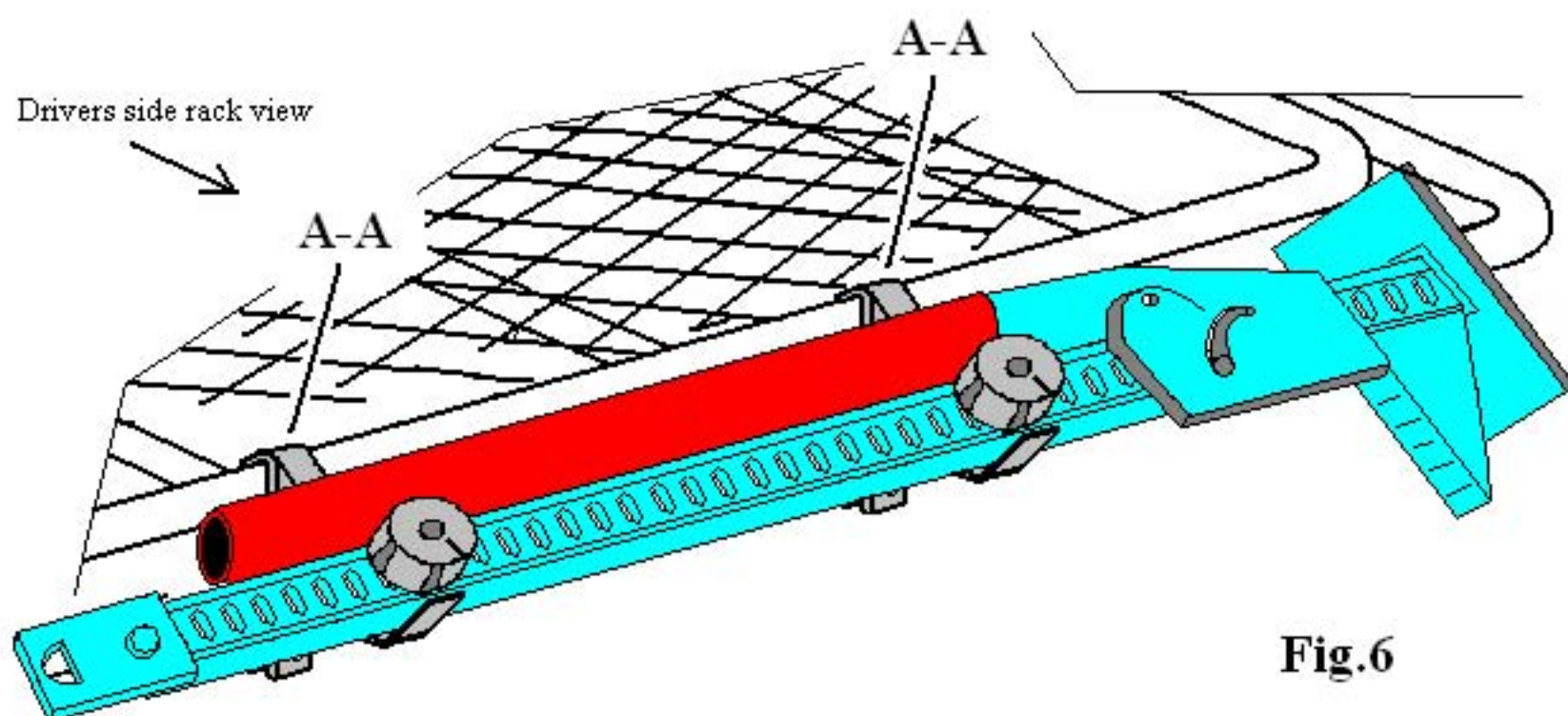


"Caution"

"Use Caution when installing or removing High Lift Jack from brackets as they may slip from your hand causing serious injury or damage to your vehicle."

GOBI NISSAN XTERRA HIGH LIFT JACK ATTACHMENT INSTALLATION INSTRUCTIONS

- 4- Refer to page 6 Fig. 6 place the High Lift jack onto the brackets "A-A" as shown in Fig. 6. Use caution when placing the High Lift jack onto brackets "A-A" as the second High Lift jack bracket "A-A" is not fully tightened down. If when installing the High Lift jack onto attached brackets "A-A" you find that the second bracket "A-A" threaded stud will not line up with the High Lift jack brackets ratchet holes re-align the second bracket "A-A" to provide a match to the ratchet holes of your High Lift Jack. Once re-aligned fully tighten the second bracket "A-A" completely. At this time make sure both High Lift jack brackets "A-A" are fully tightened and secured then place your High Lift jack back onto the High Lift jack brackets "A-A". Place spacers "G" onto the threaded studs over the High Lift Jack then re-install the locking knobs and tighten the High Lift jack down. Using the keys supplied with your High Lift jack brackets lock the knobs so that the High Lift jack is secure. Installation is now complete.

**Fig.6**

"Caution"

"Use Caution when installing or removing High Lift Jack from brackets as they may slip from your hand causing serious injury or damage to your vehicle."