

## GOBI 2010 TOYOTA 4 RUNNER FULL SIZE ROOF INSTALLATION INSTRUCTIONS

### Guidelines:

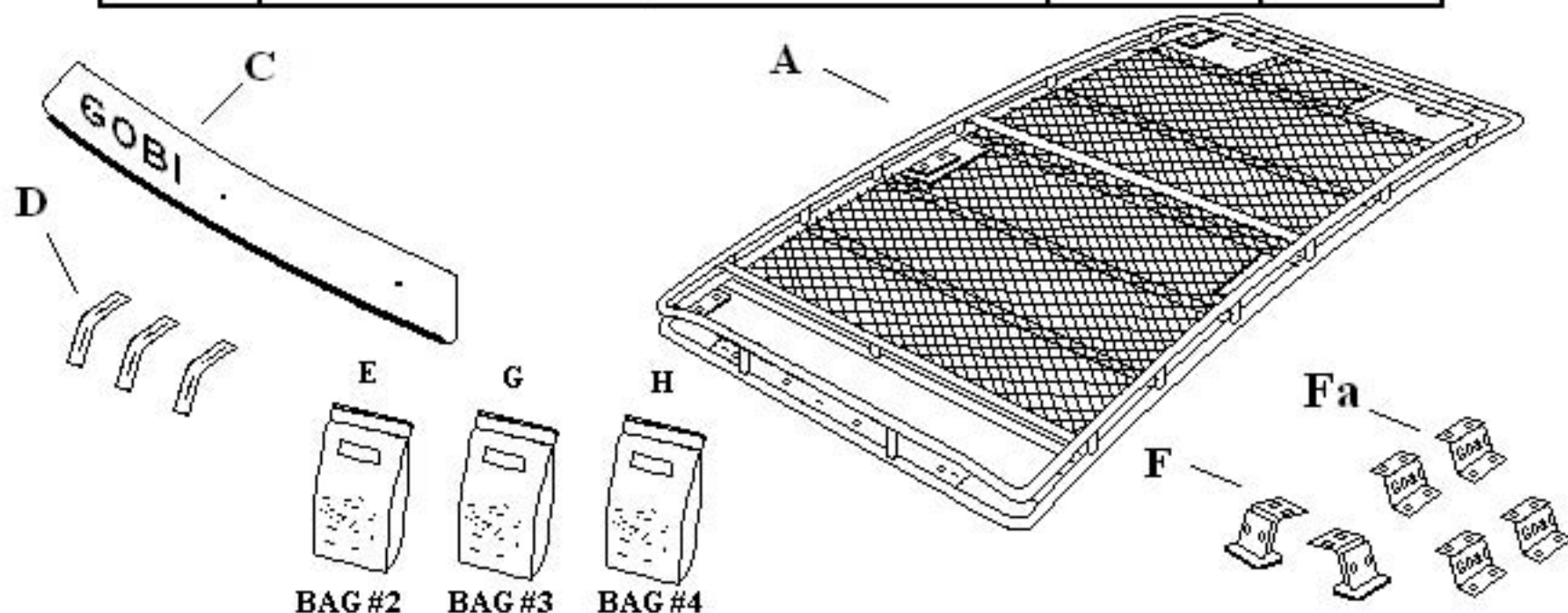
When using Load Carriers and Accessories, the user must understand the precautions. The points listed below will assist you in using the rack /carrier system and will encourage safety.

- For quality fits and safty, use only the recommended rack or accessory. Do not assume an accessory will fit, always check with dealer when obtaining new accessories. Use only approved accessories on load carriers. Using other brands will void your warrenty.
- Make sure all knobs, bolts, screws, straps, and locks are firmly attached, tightened and locked before every trip. Knobs, bolts, screws, straps, and locks must be periodically inspected for signs of wear, corrosion, and fatigue. Check your load at stops during the trip to insure continued fastening security.
- Check local and state laws governing projection of objects beyound the width of a vehicle. **Be aware of the width and height of your cargo since low clearance branches, bridges, and parking garages can affect the load** All cargo will affect the vehicle's driving behavior. Never drive with any lock, know, or rack in an open or unlocked position. All long loads such as, but not limited to sailboards, surfboards, kayaks, canoes, and lumber must be tied down front and rear to the bumpers or tow hooks, of the vehicle.
- Remove your rack accessories when they are not in use, before intering car washes, prior to taking in your vehicle for service, and whenever clearance may be an issue.
- All locks must be turned and moved periodically to insure smooth operation. Use graphite or similar dry lubricant to help this. Locks are designed to deter vandalism and theft. Remove valuable gear if your vehicle is unattended for an extended period. Place at least one key in the glove compartment.
- For safety to your vehicle and rack system, obey all posted speed limits and traffic cautions. Adapt your speed to the conditions of the road and the load being carried.
- Do not use load carriers and accessories for purposes other than those for which they were designed. Do not exceed their carrying capacity.
- Consult with your dealer if you have any questions regarding the operations and limits of this product. Review all instructions carefully.

# GOBI 2010 TOYOTA 4 RUNNER FULL SIZE ROOF INSTALLATION INSTRUCTIONS

## Included in kit

Letter	Description	Location	Quantity
A	GOBI TOYOTA 4 RUNNER FULL SIZE ROOF RACK	Main box	1
B	FAIRING RUBBER PROTECTIVE STRIP	pre-assembled	1
C	FAIRING	banded to rack	1
D	FAIRING BRACKETS (pre-assembled to fairing)	pre-assembled	3
E	FAIRING BRACKET HARDWARE CONTENTS: 3- 1/4-20 x 3/4" SS Button head screw 6- 1/4" black washer 3- 1/4" lock washer 3- 1/4-20 Lock nut	<b>BAG #2</b> Hardware Box	1
F	GOBI FRONT ADJUSTABLE SUPPORT BRACKETS DRIVER AND PASSENGER SIDE	Hardware Box	2
Fa	GOBI MIDDLE AND REAR SUPPORT BRACKETS	Hardware Box	4
G	GOBI RACK MOUNTING HARDWARE CONTENTS: 4- Cover plates black powder coated 12- Flat double hole Rubber washers 8- 1/2" Nylon spacer washers 8- M8 x 40 Mounting screws SS 8- 5/16" Stainless lock washers 8- 5/16" Stainless water proof washer 1- M-5 Metric allen wrench	<b>BAG #3</b> Hardware Box	1
H	GOBI RACK SUPPORT BRACKET HARDWARE CONTENTS: 12- 3/8" x 1" SS Hex Bolt 24- 3/8" SS Flat washers 12- 3/8" SS Lock washers 12- 3/8" SS Lock nuts 6- Rubber pads black	<b>BAG #4</b> Hardware Box	1



## GOBI 2010 TOYOTA 4 RUNNER FULL SIZE ROOF INSTALLATION INSTRUCTIONS

The rack must be inspected before each use to make certain attachments are secure, and for evidence of Wear. Misuse of the rack or failure to observe the manufacturer's instructions as to installation, proper Attachment and maintenance will void any warranties that may be implied by law.

### INSTALLATION INSTRUCTIONS:

- 1- Refer to the hardware list on page 2 check and verify that all hardware is present prior to installation.
- 2- Refer to page 5 and remove the Original Equipment Manufactured roof rack is present.
- 3- Refer to page 5 Fig. 2 (C) Use a denatured alcohol to remove all debris from around the plastic tubes protruding from the roof top such as rubber sealant or dirt which may be present after the OEM roof rack has been removed. Be sure to remove the dirt and debris from all 4 roof top anchor points as indicated by Fig. 1 and Fig. 2. Failure to properly clean the roof top areas shown in Fig. 2 may result in water leakage.
- 4- Refer to Fig.2 (10) located in Bag # 3 of your hardware kit are 12 black double holed rubber seals or washers (10). Place one rubber seal (10) onto the roof top over and around each of the plastic tubes (C) protruding from the vehicle roof top as indicated on page 5 Fig. 2. Make sure that seal (10) lays flat around each of the plastic tubes (C). Then place two nylon spacers (D) over each of the plastic tubes and over the rubber seal (10). Follow by a second rubber seal over the two nylon spacers (D). Continue by laying over the top of the rubber seal (10) flat cover plate (E) then one more seal (10) and finally support bracket (8Fa). Complete the assembly by using two M8 x 40 SS screws, lock washer and water proof washers (9) located in Bag #3 of your hardware kit and place through support bracket (8Fa), seal (10), cover plate (E), second seal (10), nylon spacers (D), third seal (10) and finally into vehicle roof top mounting holes. Be sure to thread each screw only a quarter of the way down then apply the second screw only a quarter of the way down. Continue back and forth threading each screw into the roof top this will prevent the potential of the nut plate under the roof top from coming loose during the install. After both screws are in place snug down only as the support brackets (8Fa) will have to be adjusted later. Continue to same procedure to all 4 support brackets (8Fa) as shown in Fig. 1 (15).
- 5- Refer to page 5 Fig. 3 and install Driver side support bracket (8F) onto the roof rack front Driver side support flanges (11a) (**DO NOT REMOVE THE DOUBLE BACK TAPE PROTECTIVE FILM AT THIS TIME**). Place a rubber pad (14) located in Bag #4 of your hardware kit between the support bracket (8F) and roof rack flange (11a). Use SS screws, washers and lock washers (12) located in Bag #4 of your hardware kit to secure in place snug down only at this time. Apply the same procedure to the Passenger side.
- 6- Refer to page 5 Fig. 3, page 6 Fig. 4 and Fig. 4a. Using the help of two persons carefully place the roof rack (11) with its 4 remaining open flanges (11a) located at the center and rear of the roof rack onto the 4 support brackets (8Fa) previously installed as indicated on page 5 Fig. 3. Using screw hardware (12) and rubber pads (14) located in Bag #4 of your hardware kit attach roof rack (11) onto all 4 support brackets (8Fa). Snug down screws only at this time.
- 7- Refer to page 6 Fig. 4 and Fig. 4a, using a part of the vehicle trim center the passenger and driver side brackets (8F) onto the vehicle. Once centered fully tighten all screws (9) securing support brackets (8Fa) to the vehicle roof top. Continue by fully tightening all screws (12) securing the roof rack to all the support brackets (8Fa) and (8F).

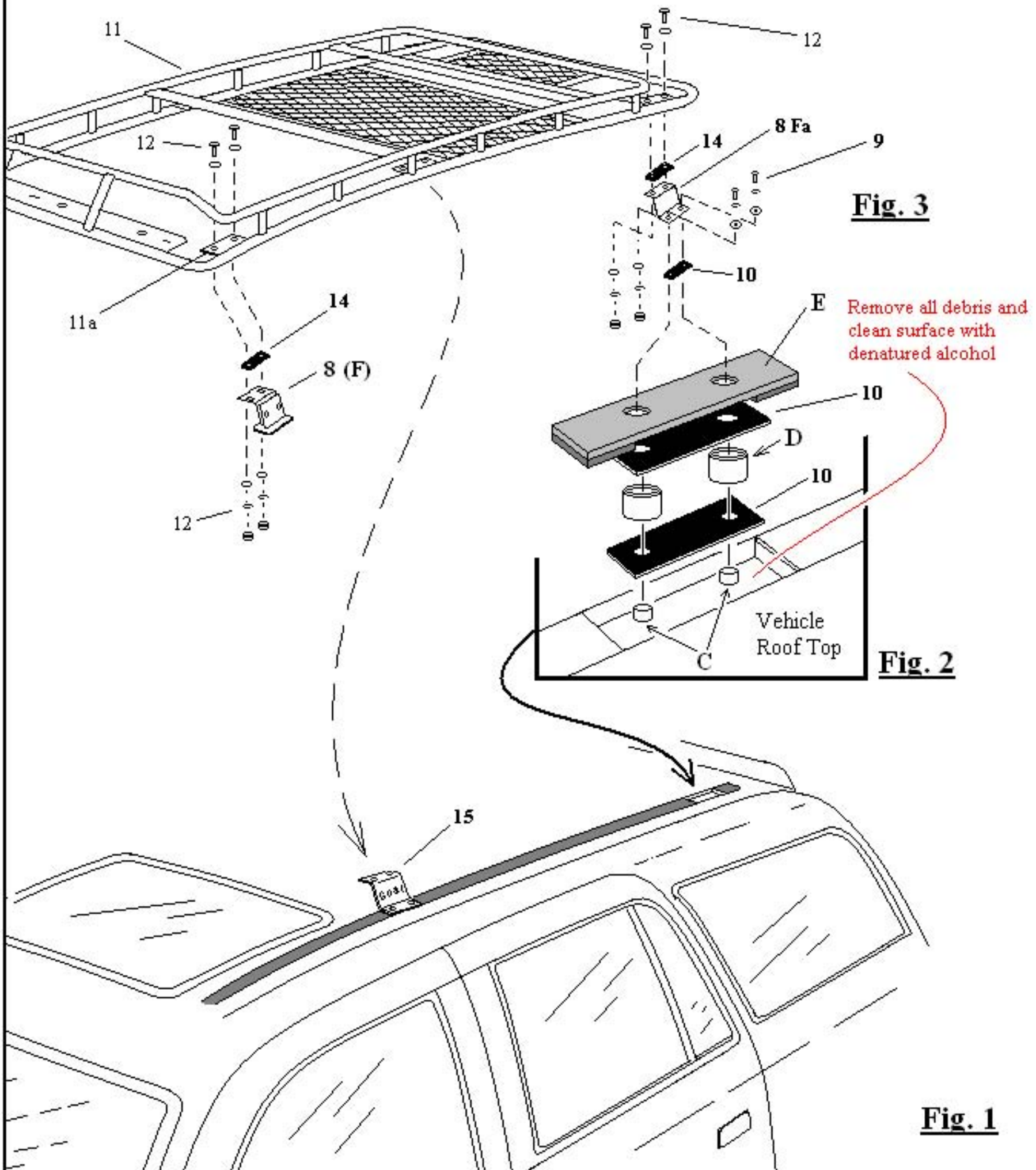
## GOBI 2010 TOYOTA 4 RUNNER FULL SIZE ROOF INSTALLATION INSTRUCTIONS

The rack must be inspected before each use to make certain attachments are secure, and for evidence of Wear. Misuse of the rack or failure to observe the manufacturer's instructions as to installation, proper Attachment and maintenance will void any warranties that may be implied by law.

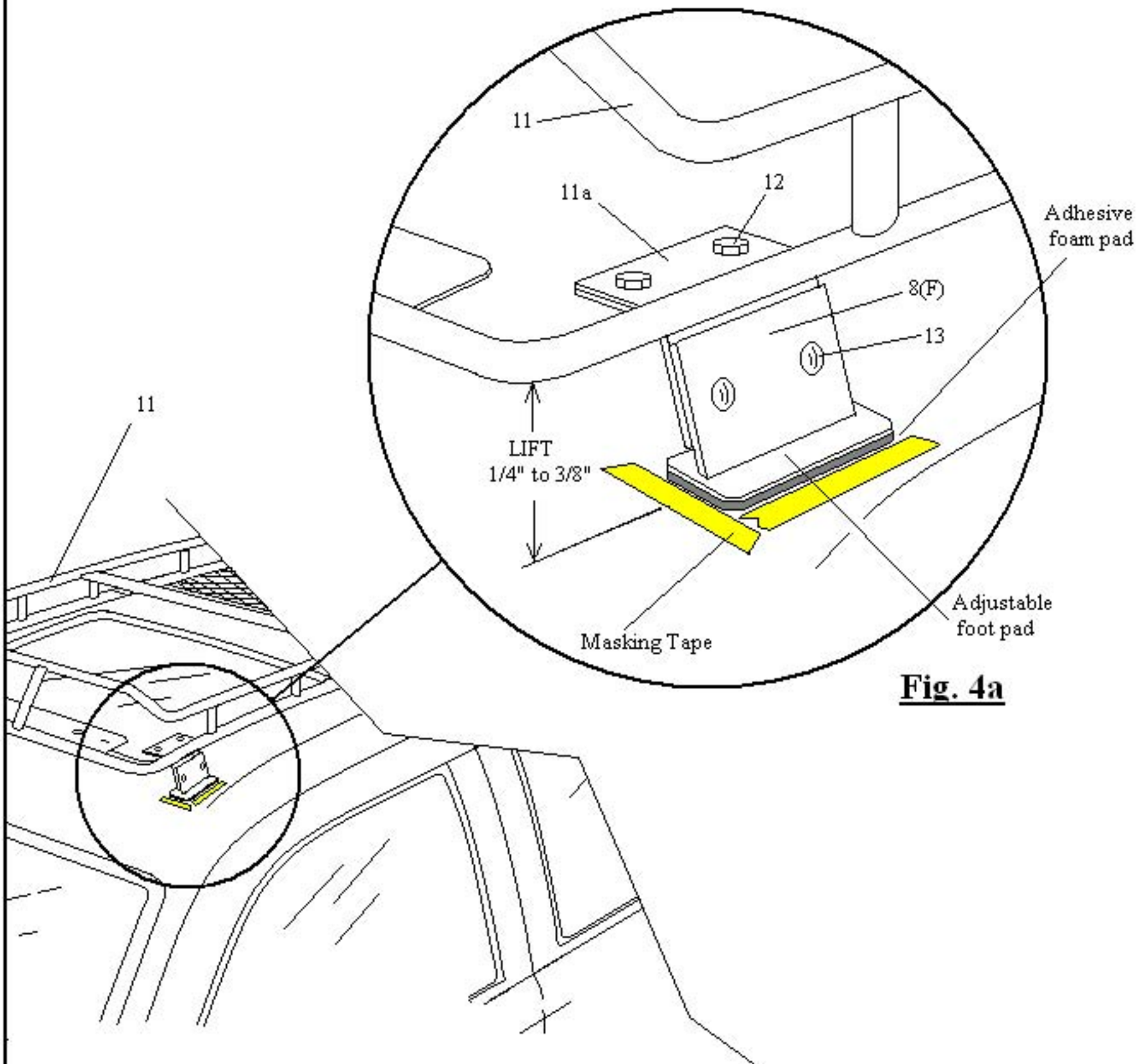
### INSTALLATION INSTRUCTIONS CONTINUED:

- 8- Refer to page 6 Fig. 4a, place a strip of masking tape to two sides of support bracket (8F) as shown. Remove both screws (13) and foot pad, you may have to lift up the roof rack slightly in order to remove the foot pad. Clean off roof top surface directly under support bracket foot pad with denatured alcohol. Remove the double back protective film from under the foot pad and carefully put back in place using the masking tape as an outline to properly align the foot pad. Replace both screws (13) and snug down only at this time. Apply the same procedure to the opposite side. Using the help of another person loosen screws (12) and (13) lift up the roof rack approximately ¼" and fully tighten screws (13) then screws (12) apply the same procedure to the opposite side.
- 9- Refer to page 7 Fig. 5 #2 fairing, fairing comes pre-assembled with fairing brackets #4 attached. The position of each attached fairing bracket may not be fixed at the proper height for your particular roof line. Adjustments may have to be made in order for the fairing to conform correctly to your vehicle's roof line. Begin by attaching the fairing's center bracket to the middle slot #5a of the Gobi roof rack light bar #5 shown on page 7 Fig 5. Use the ¼" bolts, flat black nylon washers and ¼" nylok nuts supplied in Bag #2. Provide approximately a 2" gap between the fairing and the Gobi rack outer tube as shown on page 7 Fig 6a, tighten down the center nut and screw at this time. Proceed to either the right or left hand side and pull the fairing in the direction of the arrows letters (F) and (G) while pushing down on the fairing towards the roof top at the same time. Pull each side until the fairing either makes contact with Gobi roof rack or comes in close proximity. Align fairing brackets #4 which may be at a slight angle at this time to the Gobi light bar fairing slots at the end of the Gobi light bar #5 and insert the ¼" screw and washer through fairing bracket #4 then through the Gobi light bar slot and secure the fairing in place with the ¼" black nylon washer and nylok nut. The fairing bracket once tightened will flatten out and place the fairing in the proper position. Proceed to the opposite side and continue attaching the fairing in the same manner. Be sure that the fairing throughout its length is in contact with the roof top as snug as possible, fairing brackets may need to be adjusted either up or down and in some cases you may bend the fairing bracket to accommodate the final result. Once the fairing is in proper position tighten all fairing brackets screws firmly. Roof rack installation is complete.

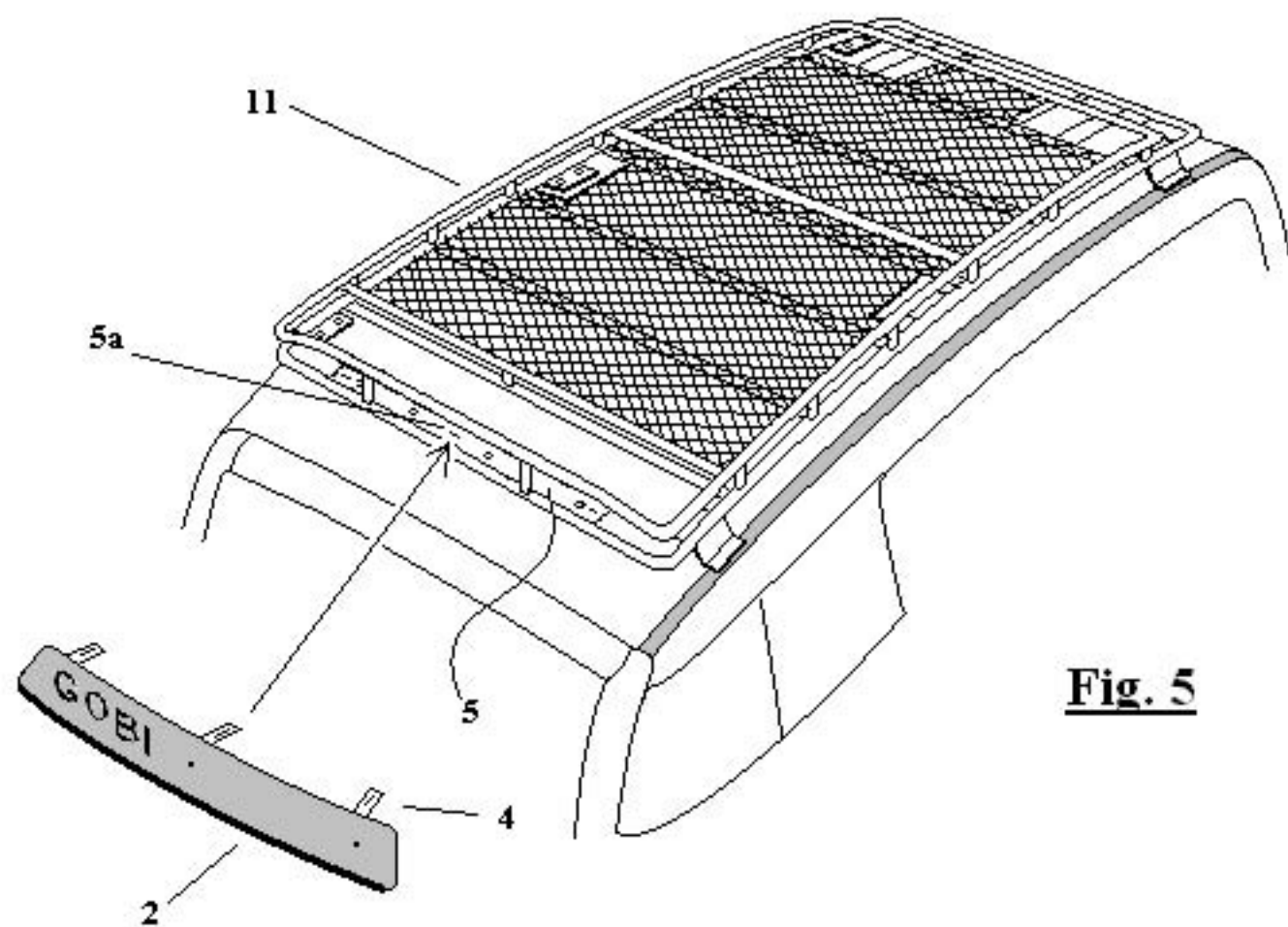
## GOBI 2010 TOYOTA 4 RUNNER FULL SIZE ROOF INSTALLATION INSTRUCTIONS



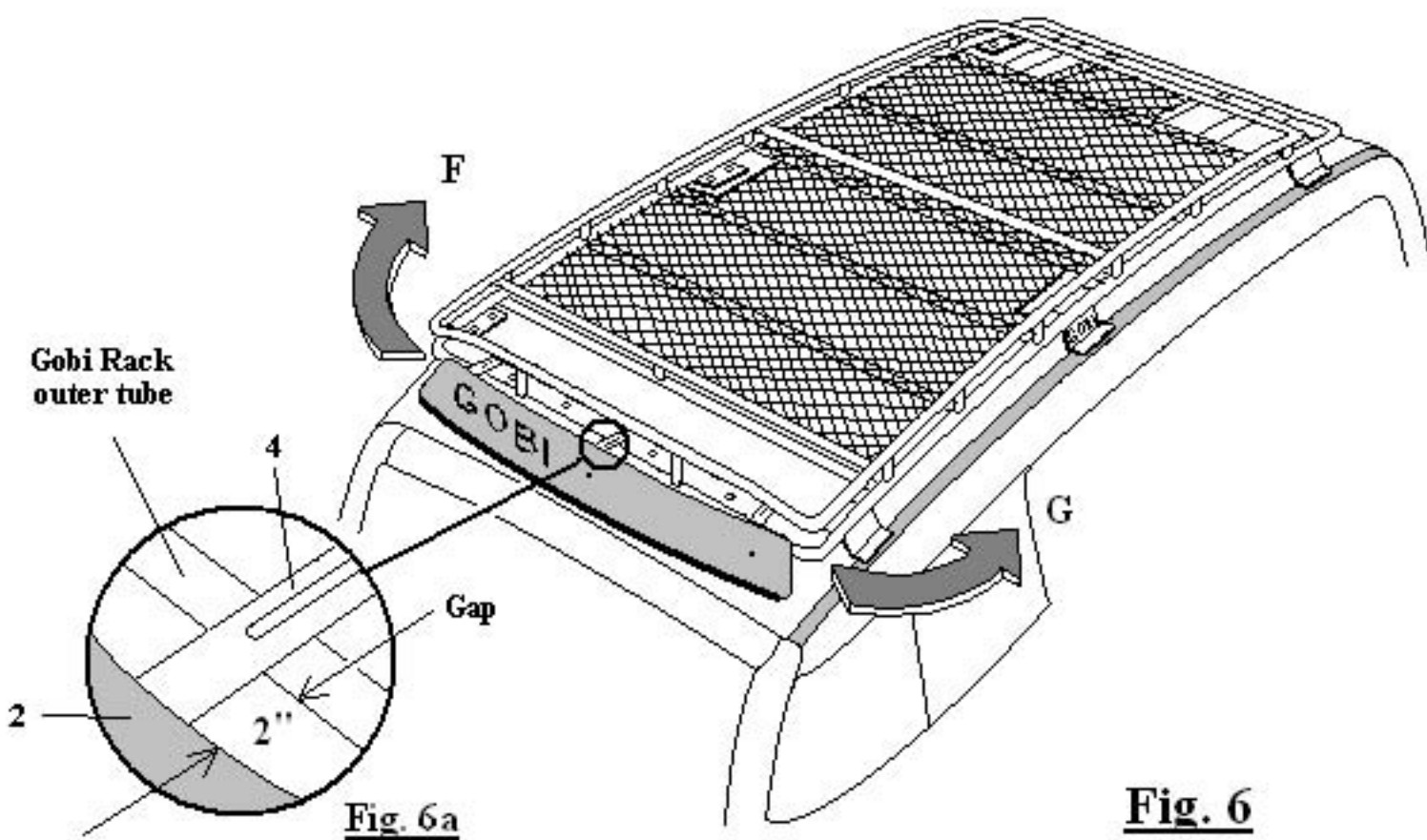
## GOBI 2010 TOYOTA 4 RUNNER FULL SIZE ROOF INSTALLATION INSTRUCTIONS



## GOBI 2010 TOYOTA 4 RUNNER FULL SIZE ROOF INSTALLATION INSTRUCTIONS



**Fig. 5**



**Fig. 6**