

GOBI NISSAN XTERRA 05-07 FULL SIZE ROOF RACK

INSTALLATION INSTRUCTIONS

Guidelines:

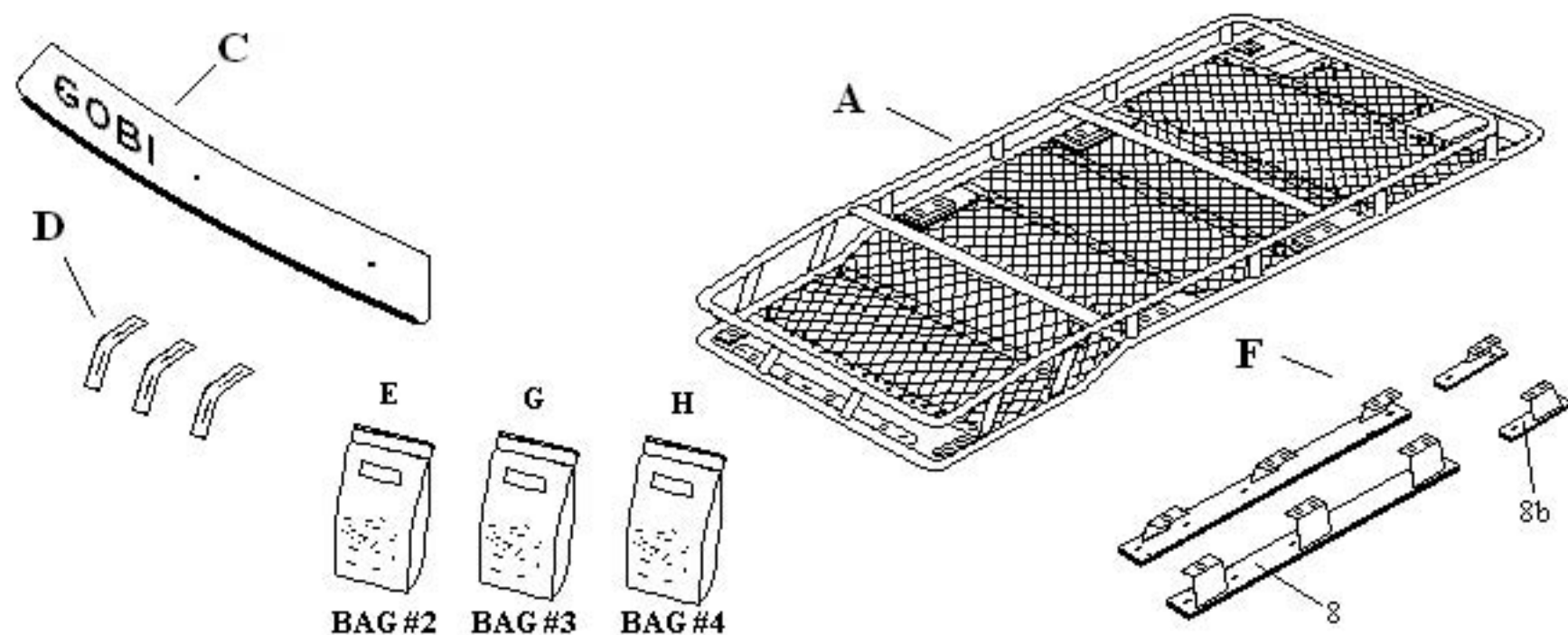
When using Load Carriers and Accessories, the user must understand the precautions. The points listed below will assist you in using the rack /carrier system and will encourage safety.

- For quality fits and safety, use only the recommended rack or accessory. Do not assume an accessory will fit, always check with dealer when obtaining new accessories. Use only approved accessories on load carriers. Using other brands will void your warranty.
- Make sure all knobs, bolts, screws, straps, and locks are firmly attached, tightened and locked before every trip. Knobs, bolts, screws, straps, and locks must be periodically inspected for signs of wear, corrosion, and fatigue. Check your load at stops during the trip to insure continued fastening security.
- Check local and state laws governing projection of objects beyond the width of a vehicle. **Be aware of the width and height of your cargo since low clearance branches, bridges, and parking garages can affect the load** All cargo will affect the vehicle's driving behavior. Never drive with any lock, knob, or rack in an open or unlocked position. All long loads such as, but not limited to sailboards, surfboards, kayaks, canoes, and lumber must be tied down front and rear to the bumpers or tow hooks, of the vehicle.
- Remove your rack accessories when they are not in use, before entering car washes, prior to taking in your vehicle for service, and whenever clearance may be an issue.
- All locks must be turned and moved periodically to insure smooth operation. Use graphite or similar dry lubricant to help this. Locks are designed to deter vandalism and theft. Remove valuable gear if your vehicle is unattended for an extended period. Place at least one key in the glove compartment.
- For safety to your vehicle and rack system, obey all posted speed limits and traffic cautions. Adapt your speed to the conditions of the road and the load being carried.
- Do not use load carriers and accessories for purposes other than those for which they were designed. Do not exceed their carrying capacity.
- Consult with your dealer if you have any questions regarding the operations and limits of this product. Review all instructions carefully.

GOBI NISSAN XTERRA 05-07 FULL SIZE ROOF RACK INSTALLATION INSTRUCTIONS

Included in kit

Letter	Description	Location	Quantity
A	GOBI NISSAN XTERRA 05-07 FULL SIZE ROOF RACK	Main box	1
B	FAIRING RUBBER PROTECTIVE STRIP	pre-assembled	1
C	FAIRING	banded to rack	1
D	FAIRING BRACKETS (pre-assembled to fairing)	pre-assembled	3
E	FAIRING BRACKET HARDWARE CONTENTS: 3- 1/4-20 x 3/4" SS Button head bolt 6- 1/4" black washer 3- 1/4" lock washer 3- 1/4-20 nut	BAG #2 Hardware Box	1
F	GOBI SUPPORT BRACKETS 2- Front support brackets # 8b 2- Rear support brackets # 8	banded to rack	4
G	GOBI ROOF MOUNT HARDWARE CONTENTS: 28- M6 x 25 SS Button Head mounting screws 12- 1" SS water proof washers for mounting brackets 8a & 8b 16- 5/8" SS water proof washer for unused mounting holes 8P 1- M-4 Metric allen wrench 1- T-27 Torx wrench	BAG #3 Hardware Box	1
H	GOBI RACK BRACKET HARDWARE CONTENTS: 14- 3/8-16 x 1" SS Hex bolt 28- 3/8" SS Flat washers 14- 3/8" SS Lock washers 8- Rubber pads black	BAG #4 Hardware Box	1



GOBI NISSAN XTERRA 05-07 FULL SIZE ROOF RACK

INSTALLATION INSTRUCTIONS

The rack must be inspected before each use to make certain attachments are secure, and for evidence of Wear. Misuse of the rack or failure to observe the manufacturer's instructions as to installation, proper Attachment and maintenance will void any warranties that may be implied by law.

INSTALLATION INSTRUCTIONS:

- 1- Prior to install read all instructions carefully then refer to page 2 and make certain all parts are present before installation procedure.
- 2- If your vehicle should have the Original Equipment roof rack still attached it must be removed at this time. Use the T-27 Torx wrench provided with your install kit found in **Plastic Bag #3**. Remove all 28 screws holding the OEM roof rack to the roof top of your vehicle, then lift luggage rack up and off vehicle roof top. You may want to clean the vehicle roof top at this time.
- 3- Refer to page 5 Fig. 2 and use the M6x25 SS Button head screws and the 16-8P water proof washers located in **Plastic Bag #3** of the install kit and plug the roof top threaded holes labeled with a (+) and marked (8P) 16 holes total. Once all screws have been installed only in the marked (8P) holes and tightened refer again to page 5 Fig. 4. Assemble together all roof rack mounting plates and brackets #8 and #8b one Front and Rear Driver and Passenger side plate and bracket of each. Begin by attaching mounting plate #8 "Rear Drivers Side" as shown in Fig. 4 and Fig. 3 page 5, lay the padded side of the mounting plate on the vehicle roof top and align the mounting plate holes over the roof top threaded holes labeled (8a) in Fig 2 and 3 page 5. Once bracket #8 is aligned with roof top threaded holes place 4 M6x25SS mounting screws and water proof washers into and over each mounting hole of plate #8 and into vehicle roof top. Finger tighten only at this time, leave plate loose enough to slide forward or backward on the roof. Refer to Fig. 3 and 4 page 5 and install bracket #8b onto Drivers side front as shown. Install bracket #8b over threaded roof top holes marked (8c) then install 2 M6x25SS mounting screws and water proof washers into and over each mounting hole. Finger tighten only at this time, leave bracket loose enough to slide forward and backward on roof top.
- 4- Once all mounting brackets and plates have been installed on vehicle roof top place roof rack #11 as shown in Fig. 4 page 5 onto all 8 mounting brackets of plates #8 and brackets #8b. Place rubber pads #10 between all mounting brackets and the welded in roof rack flanges 11a. The mounting brackets #8b and plates #8 attached to roof top will need to be adjusted either to the front or rear of the vehicle in order to correctly align the roof rack mounting flanges 11a to roof top brackets. Once roof rack is aligned properly continue by installing the 3/8 x 1" SS bolts, washers and nuts supplied in **Plastic Bag #4** of your install kit through all welded in flanges 11a and mounting brackets as shown in Fig. 4. Do not fully tighten at this time leave bolts loose enough for adjustment.

GOBI NISSAN XTERRA 05-07 FULL SIZE ROOF RACK

INSTALLATION INSTRUCTIONS

The rack must be inspected before each use to make certain attachments are secure, and for evidence of Wear. Misuse of the rack or failure to observe the manufacturer's instructions as to installation, proper Attachment and maintenance will void any warranties that may be implied by law.

INSTALLATION INSTRUCTIONS CONTINUED:

- 5- Align the Gobi roof rack with the vehicle then tighten all mounting brackets and plates #8 and #8b to vehicle roof top using the 4mm allen wrench located in **Plastic Bag #3** of your install kit. Tighten firmly but do not over tighten. After all roof top mounting brackets and plates are tight continue by fully tightening the Gobi roof rack to the mounting brackets.

- 6- Refer to page 6 Fig 5 installation of the roof rack farring. Using the hardware found in **Plastic Bag #2** begin by attaching the pre assembled farring to the Gobi roof rack use the center bracket #4 as shown in Fig. 5 page 6 to the #5 front light bar of the Gobi roof rack. Leave a gap of approximately 1 to 2" between the Gobi rack and the farring #2 as shown in Fig. 6a page 6 and fully tighten. Continue to either side of the farring and align the #4 farring bracket to the outer slots in the Gobi rack light bar. The slots may seem to be out of place but this is by design, bow the farring back towards the Gobi roof rack as indicated in Fig. 6 F and G install the nut and bolt thru the farring bracket #4 and the #5 Gobi light bar and finger tighten at this time. Apply the same procedure to the opposite side of the farring. Using an additional person have them press directly down and firmly onto the bend of the farring bracket #4 while you tighten down the farring bracket as shown in Fig. 6a this will provide a tight bond between the farring and the vehicle roof. If a small gap should appear between the farring and the roof top loosen up the center bracket then re-tighten or move down the rubber strip to seal the gap.

GOBI NISSAN XTERRA 05-07 FULL SIZE ROOF RACK

INSTALLATION INSTRUCTIONS

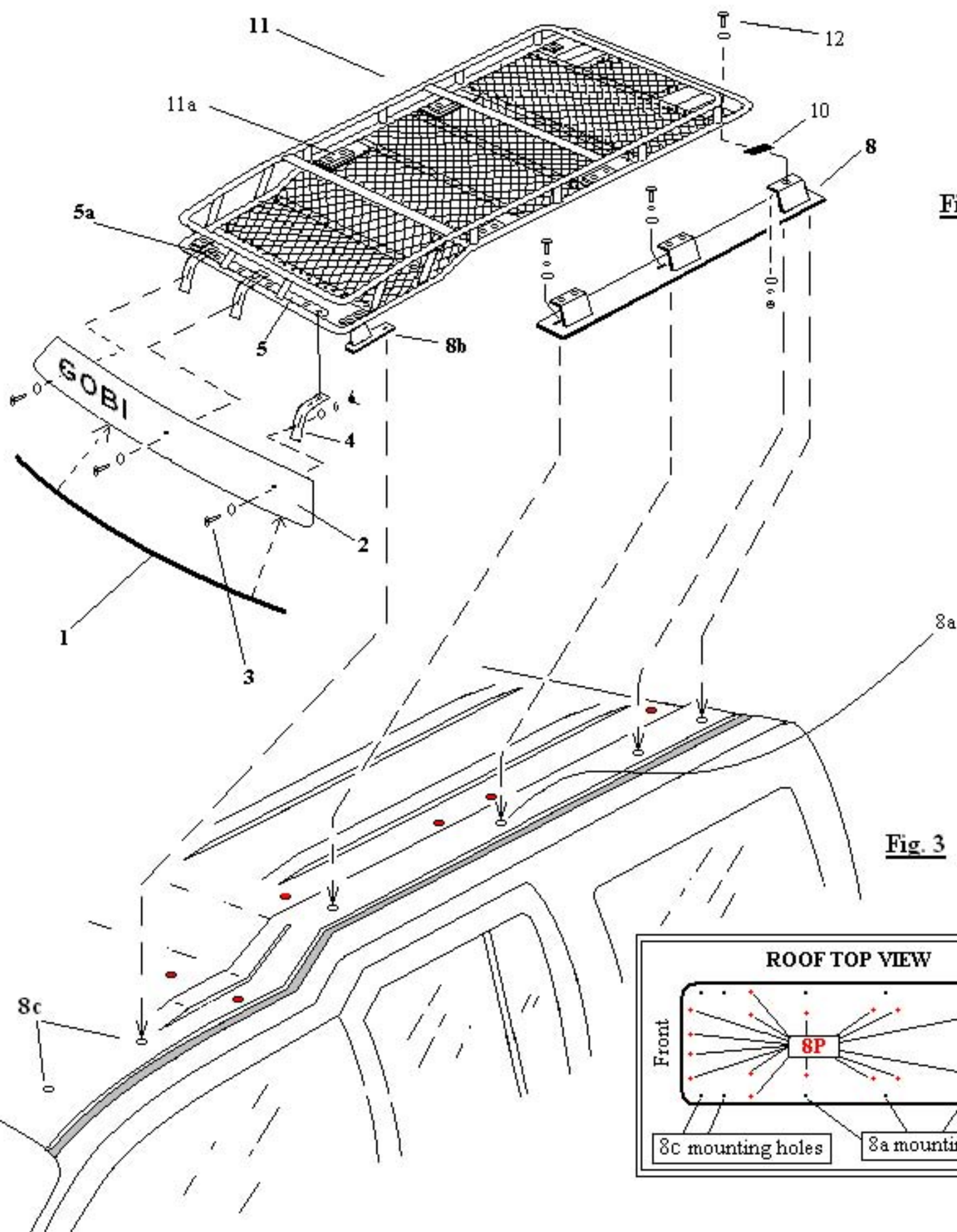
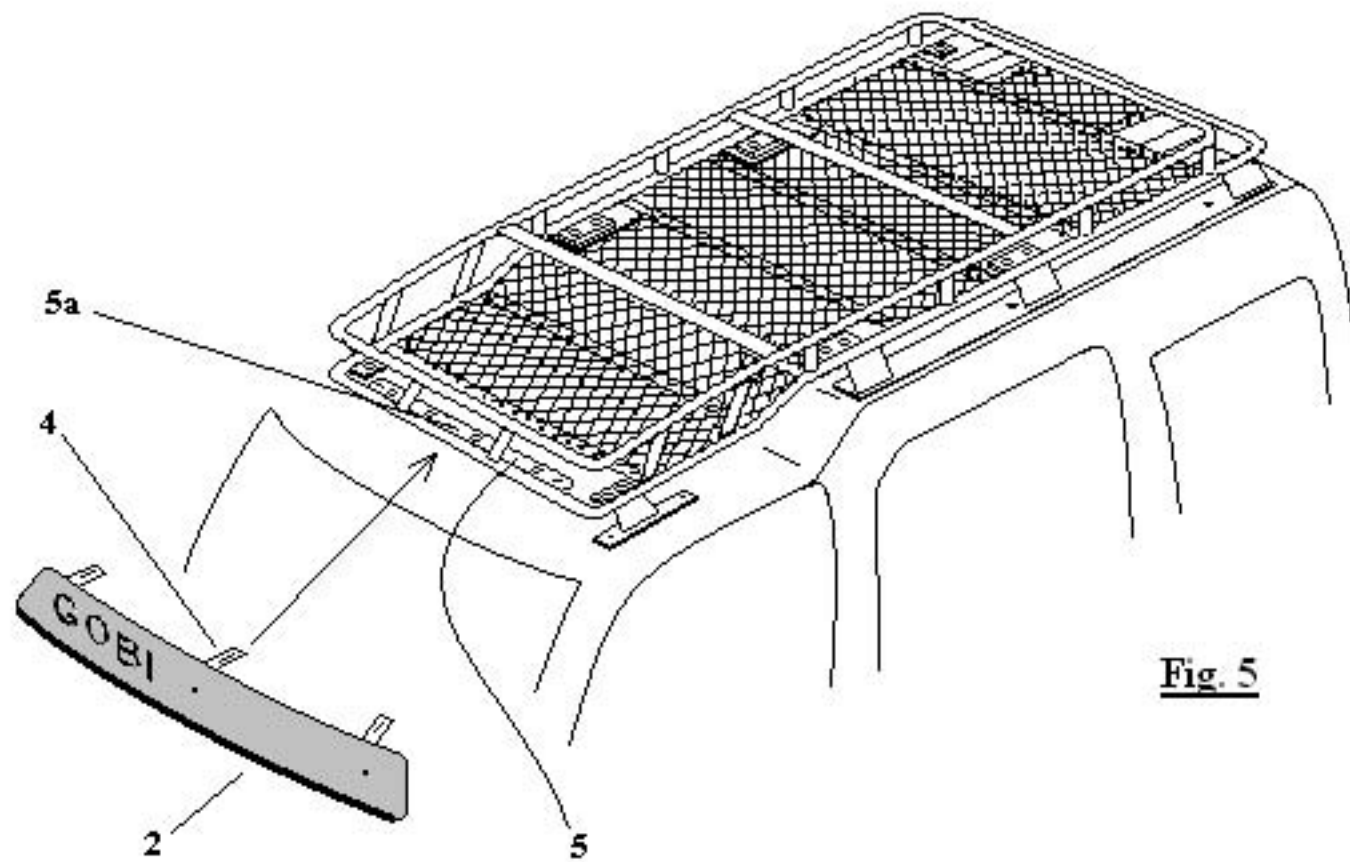


Fig. 4

Fig. 3

Fig. 2

GOBI NISSAN XTERRA 05-07 FULL SIZE ROOF RACK INSTALLATION INSTRUCTIONS



Apply pressure down at
this point when tightening
all 3 brackets

