

## GOBI HUMMER H3 LADDER INSTALLATION INSTRUCTIONS

### Guidelines:

When using Load Carriers and Accessories, the user must understand the precautions. The points listed below will assist you in using the rack /carrier system and will encourage safety.

- For quality fits and safety, use only the recommended rack or accessory. Do not assume an accessory will fit, always check with dealer when obtaining new accessories. Use only approved accessories on load carriers. Using other brands will void your warranty.
- Make sure all knobs, bolts, screws, straps, and locks are firmly attached, tightened and locked before every trip. Knobs, bolts, screws, straps, and locks must be periodically inspected for signs of wear, corrosion, and fatigue. Check your load at stops during the trip to insure continued fastening security.
- Check local and state laws governing projection of objects beyond the width of a vehicle. **Be aware of the width and height of your cargo since low clearance branches, bridges, and parking garages can affect the load** All cargo will affect the vehicle's driving behavior. Never drive with any lock, knob, or rack in an open or unlocked position. All long loads such as, but not limited to sailboards, surfboards, kayaks, canoes, and lumber must be tied down front and rear to the bumpers or tow hooks, of the vehicle.
- Remove your rack accessories when they are not in use, before entering car washes, prior to taking in your vehicle for service, and whenever clearance may be an issue.
- All locks must be turned and moved periodically to insure smooth operation. Use graphite or similar dry lubricant to help this. Locks are designed to deter vandalism and theft. Remove valuable gear if your vehicle is unattended for an extended period. Place at least one key in the glove compartment.
- For safety to your vehicle and rack system, obey all posted speed limits and traffic cautions. Adapt your speed to the conditions of the road and the load being carried.
- Do not use load carriers and accessories for purposes other than those for which they were designed. Do not exceed their carrying capacity.
- Consult with your dealer if you have any questions regarding the operations and limits of this product. Review all instructions carefully.

**READ ALL INSTRUCTIONS CAREFULLY BEFORE INSTALL**

## GOBI HUMMER H3 LADDER INSTALLATION INSTRUCTIONS

*The Gobi ladder must be inspected before each use to make certain attachments are secure, and for evidence of Wear. Misuse of the ladder or failure to observe the manufacturer's instructions as to installation, proper Attachment and maintenance will void any warranties that may be implied by law.*

# CAUTION

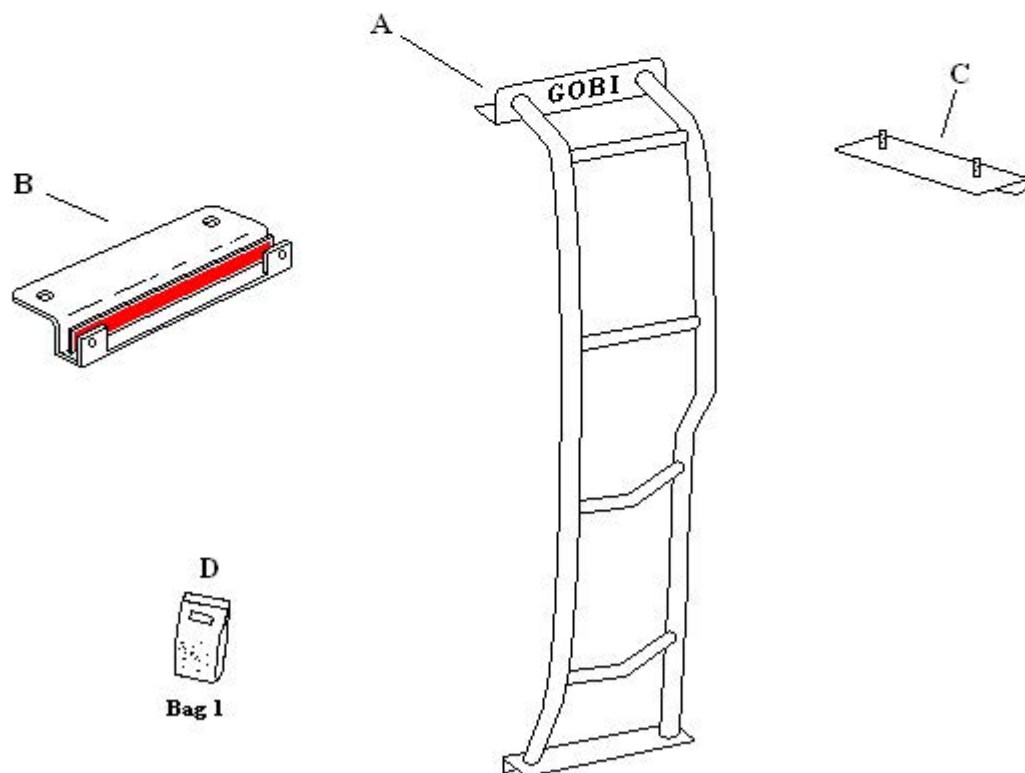
**"LADDER IS TO BE TRAVERSED UPON  
ONLY  
WHEN THE REAR H3 DOOR IS FULLY  
CLOSED AND LOCKED"**

**READ ALL INSTRUCTIONS CAREFULLY BEFORE INSTALL**

## GOBI HUMMER H3 LADDER INSTALLATION INSTRUCTIONS

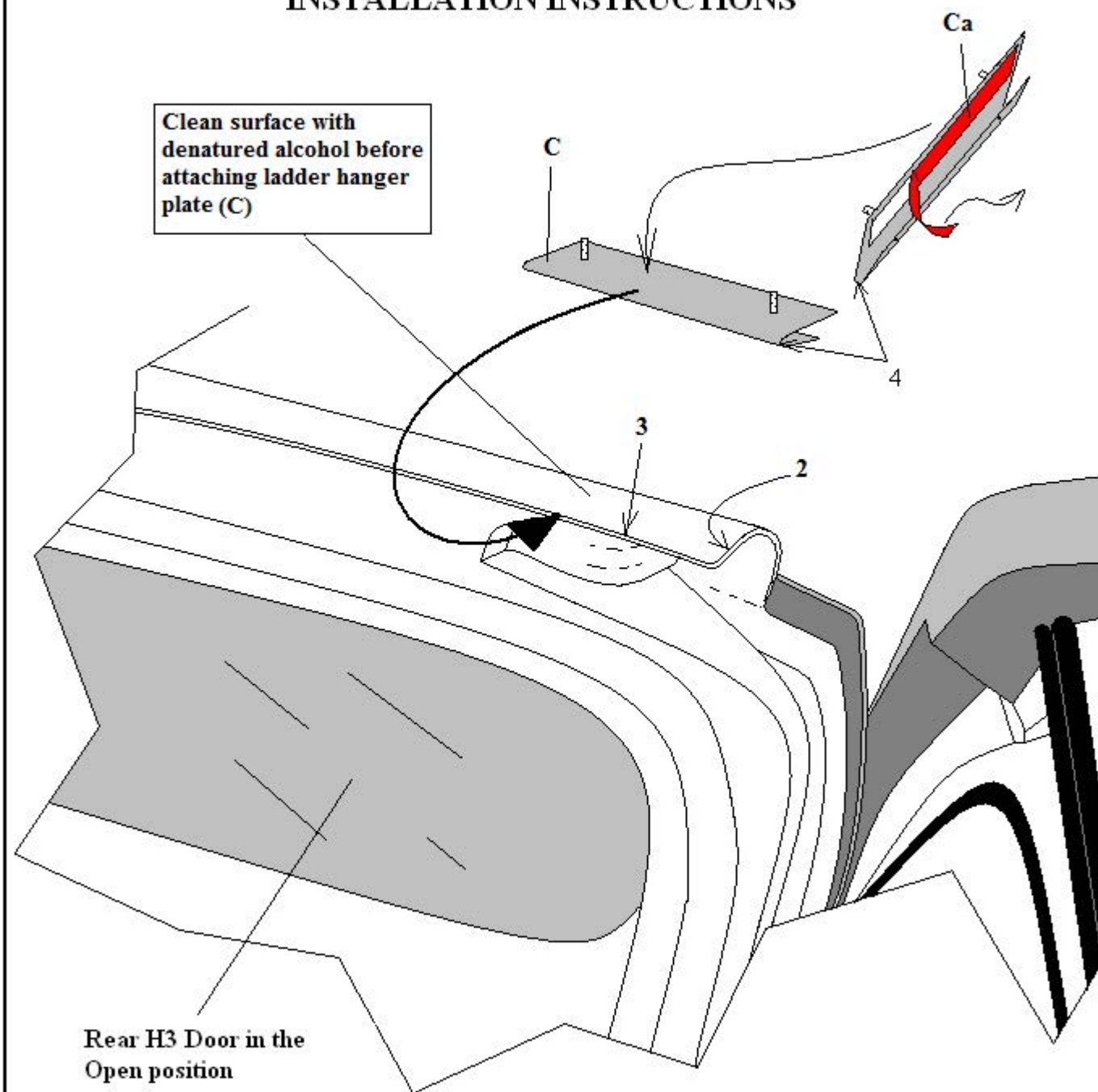
**Included in kit**

| Letter | Description  | Location           | Quantity |
|--------|--|--------------------|----------|
| A      | GOBI H3 LEFT SIDE LADDER FOR TIRE MOUNT  | Main box           | 1        |
| B      | "C" CLAMP  | strapped to ladder | 1        |
| C      | LADDER HANGER PLATE  | strapped to ladder | 1        |
| D      | GOBI LADDER MOUNTING HARDWARE<br>CONTENTS: 2- 5/16" Stainless Nuts<br>2- 5/16" Stainless Lock washers<br>2- 5/16" Black neoprene stainless washer<br>1- 3/16 allen wrench<br><br>2- 5/16 - 18 x 1" Button head Screw SS } Pre-assembled<br>2- 5/16" Flat washers SS } to bottom<br>2- 5/16" Lock washer SS } of ladder | BAG #1             | 1        |

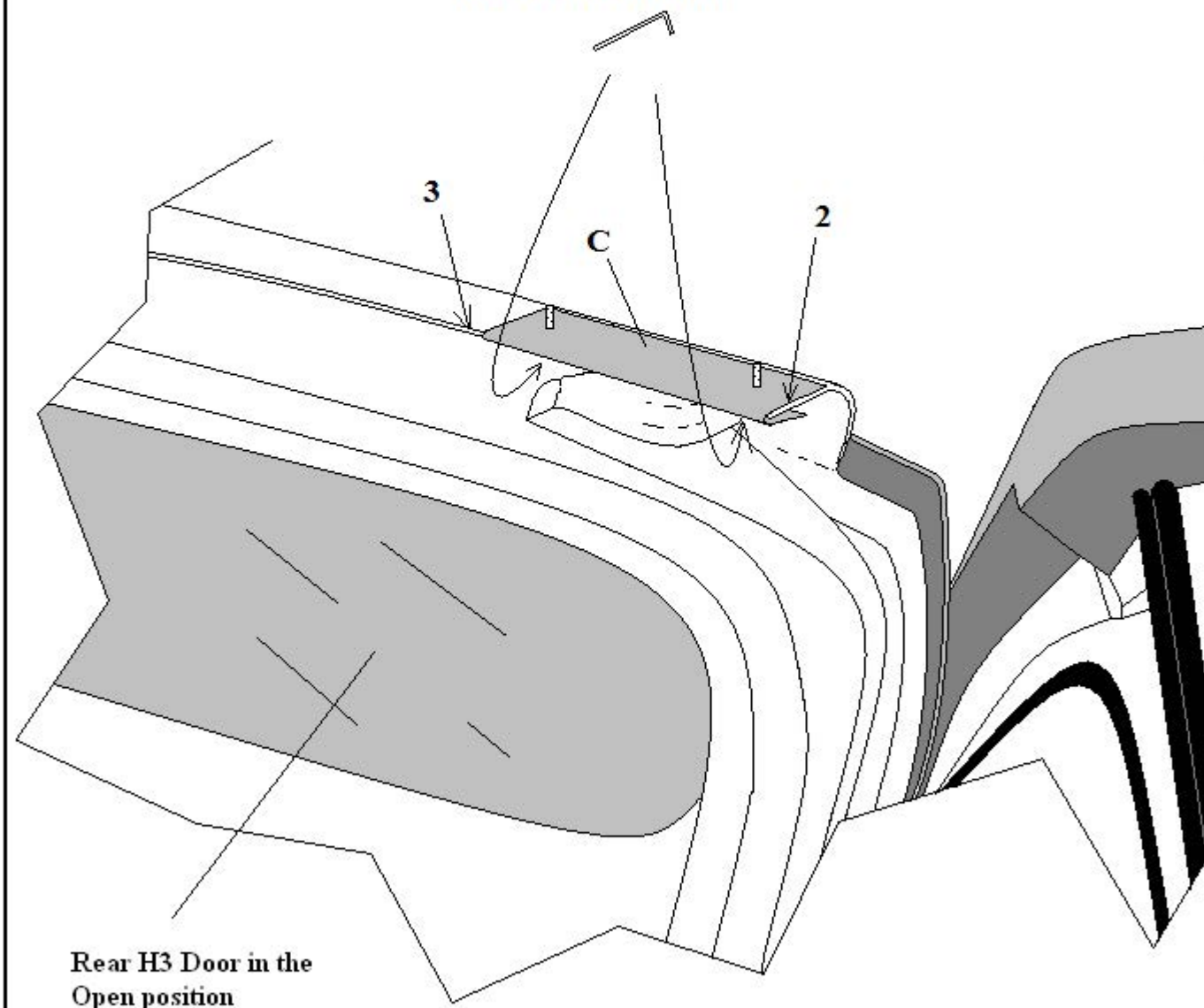


## GOBI HUMMER H3 LADDER INSTALLATION INSTRUCTIONS

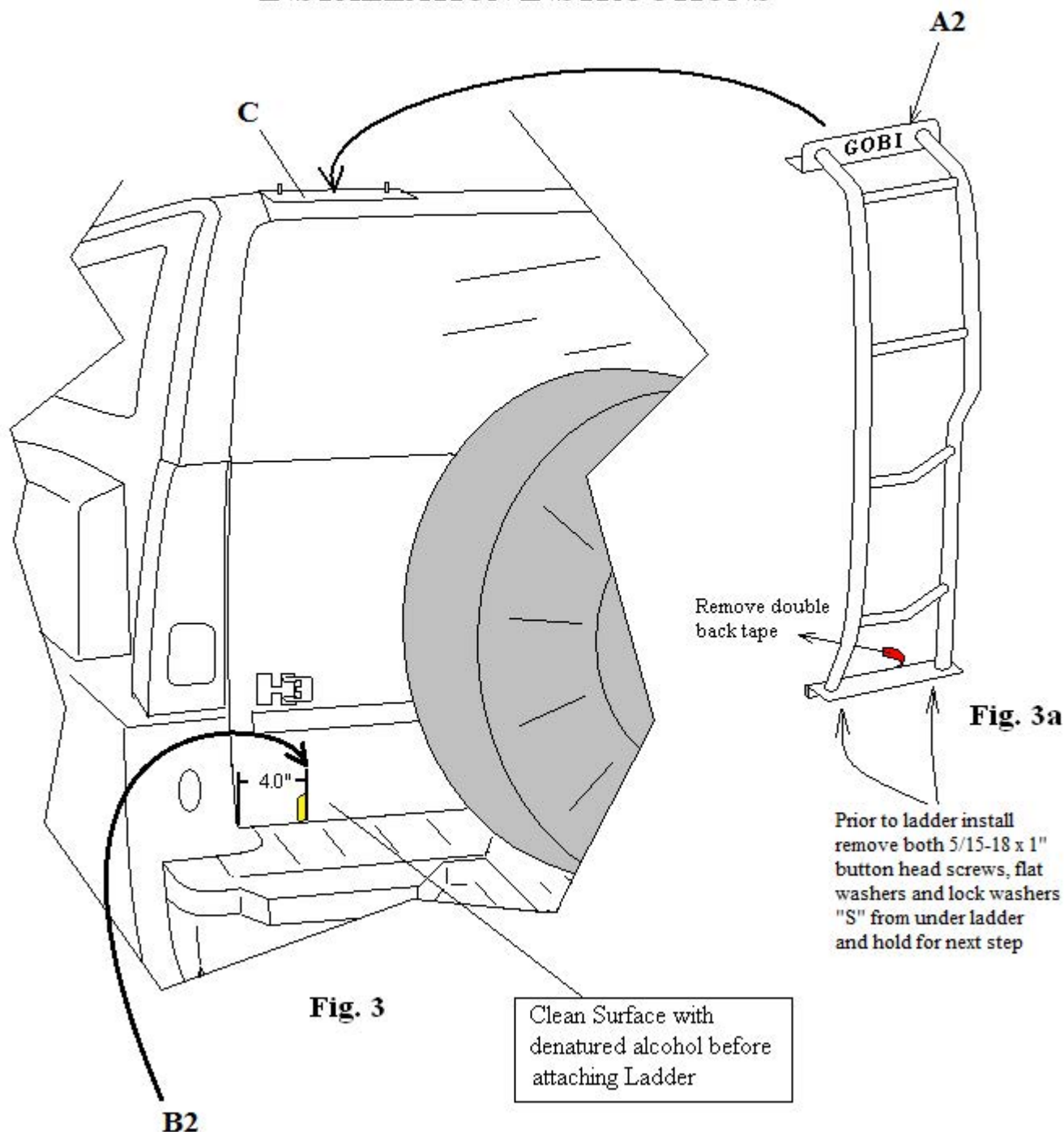
Clean surface with  
denatured alcohol before  
attaching ladder hanger  
plate (C)

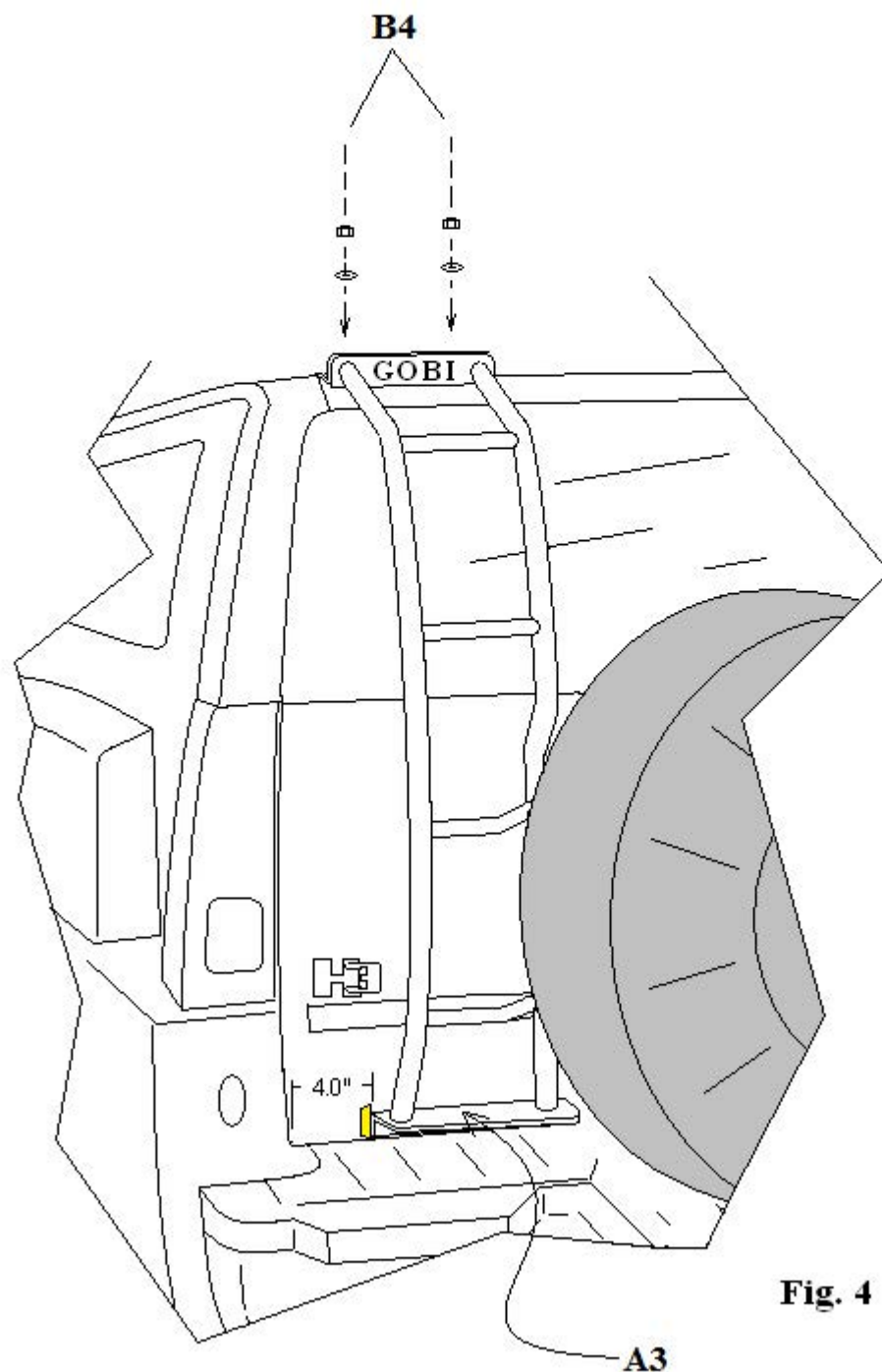


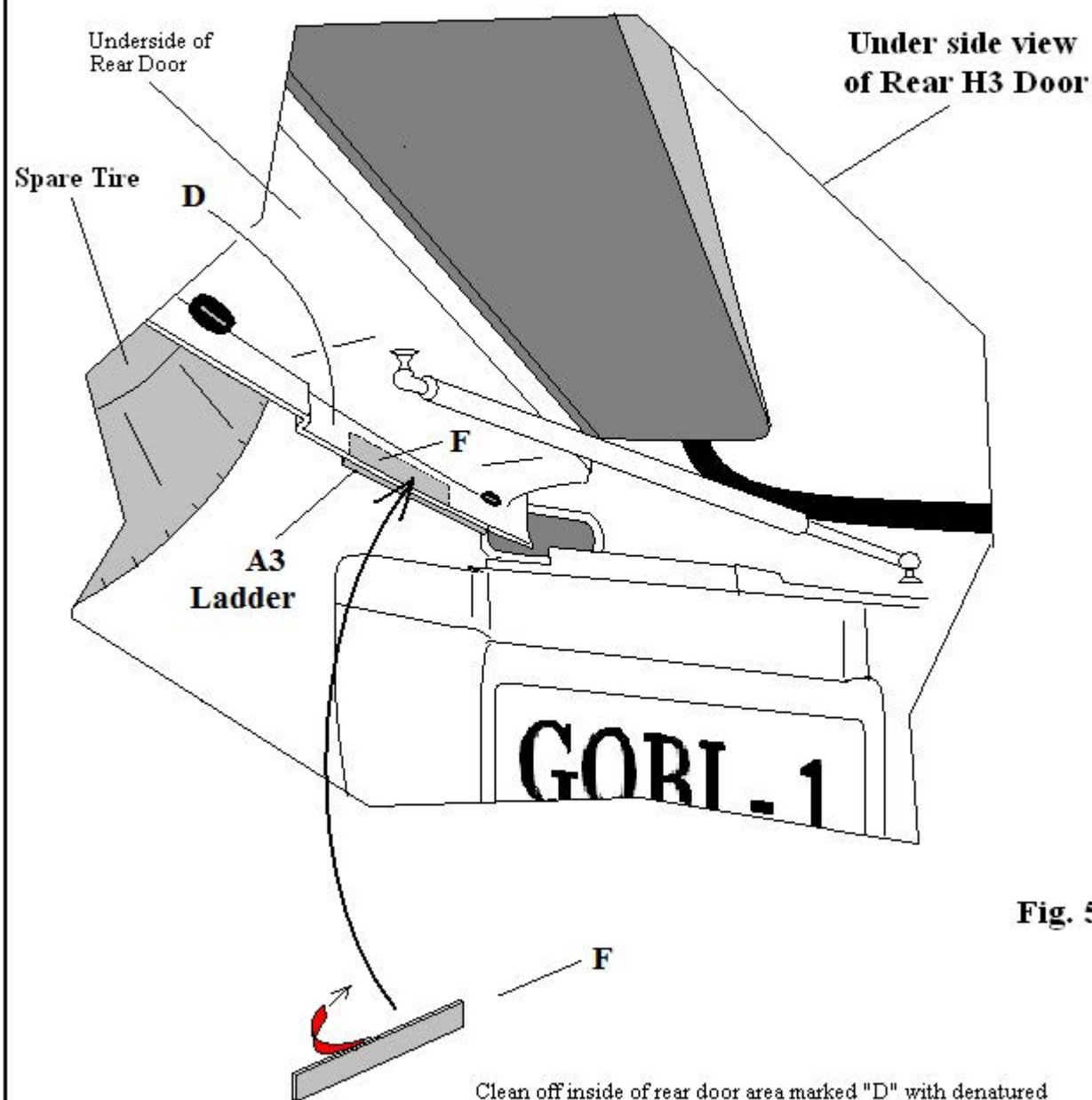
**Fig. 1**

**GOBI HUMMER H3 LADDER  
INSTALLATION INSTRUCTIONS****3/32 Allen wrench****Fig. 2**



**GOBI HUMMER H3 LADDER  
INSTALLATION INSTRUCTIONS**

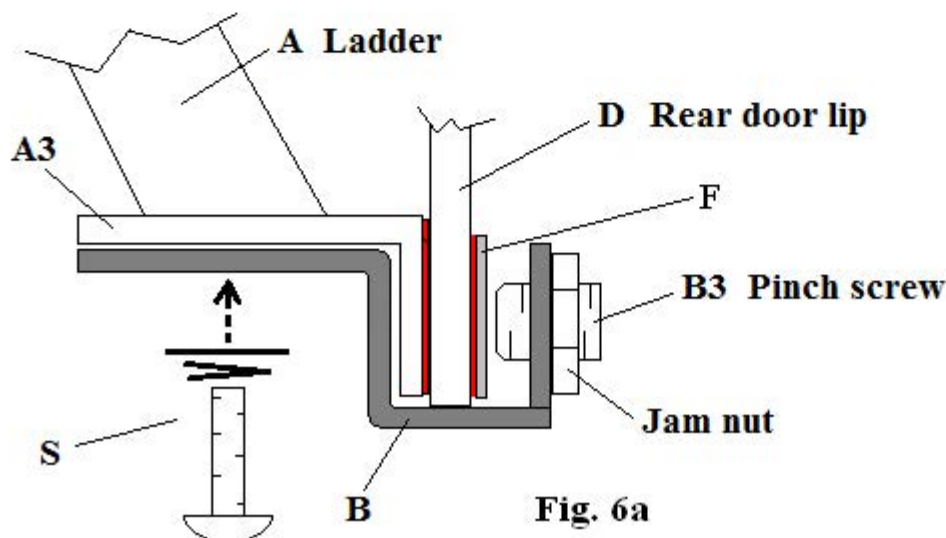
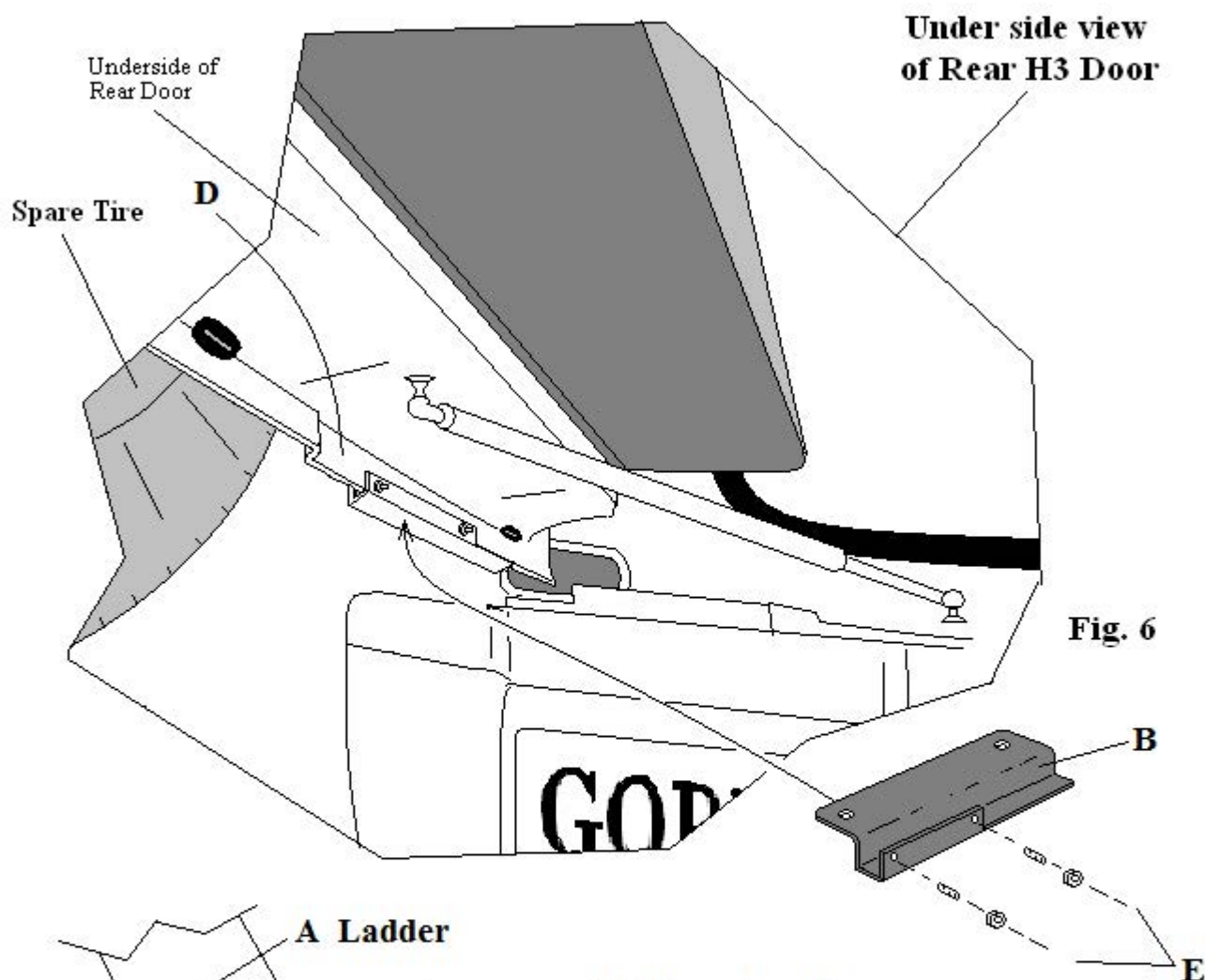
**GOBI HUMMER H3 LADDER  
INSTALLATION INSTRUCTIONS****Fig. 4**

**GOBI HUMMER H3 LADDER  
INSTALLATION INSTRUCTIONS****Fig. 5**

Clean off inside of rear door area marked "D" with denatured alcohol. Peel off double back tape protective film from aluminum pinch plate "F" then attach as shown above to the left side of lower ladder bracket "A3" on inside of door marked "D".



## GOBI HUMMER H3 LADDER INSTALLATION INSTRUCTIONS



## GOBI HUMMER H3 LADDER INSTALLATION INSTRUCTIONS

*The Gobi ladder must be inspected before each use to make certain attachments are secure, and for evidence of Wear. Misuse of the ladder or failure to observe the manufacturer's instructions as to installation, proper Attachment and maintenance will void any warranties that may be implied by law.*

### INSTALLATION INSTRUCTIONS:

- 1- Open the rear H3 door completely at this time. Remove ladder hanger plate (C) as illustrated on page 2 attached to your ladder along with your hardware kit. Clean an area on the upper door surface as shown on page 3 Fig. 1 with denatured alcohol large enough to establish a clean bond for the double back tape under ladder hanger plate (C). Peel off the protective covering of the double back tape as shown on page 3 Fig. 1 (Ca). Attach ladder hanger plate (C) to the top of the rear door at edges #2 and #3 as shown. Make sure prior to pressing hanger plate (C) to the rear door that rear door edge #3 is making contact with the entire length of the inner most edge #4 of the ladder hanger plate (C), then press the ladder hanger plate (C) firmly onto the door. Using the 3/32" Allen wrench provided in Bag #1 of your hardware kit tighten the set screws under ladder hanger plate (C) as shown on page 4 Fig. 2 "Do Not Over Tighten".
- 2- Refer to page 5 Fig. 3a and remove the two 5/16-18 x 1" button head screw, flat washers and lock washers (S) from the bottom of the ladder using the 3/16" Allen wrench supplied in your hardware kit Bag #1 and place screws nearby as they will be needed shortly.
- 3- Refer to page 5 Fig. 3 close the rear H3 door completely then place a piece of masking tape (B2) 4" inches from the left lower edge on the outside of the door as shown. This mark will provide the exact point in which to rest the bottom left side corner of the H3 ladder. Clean the area to the right side of the 4" mark approximately 11" long and 2" high with denatured alcohol let dry for 30 seconds. Remove the double back tape from the bottom of the H3 ladder as shown on page 5 Fig. 3a then place the Gobi ladder top bracket (A2) onto the ladder hanger plate (C) over both threaded studs as shown on page 5 Fig. 3a and Fig. 3 and page 6 Fig. 4. As the Gobi ladder is firmly pulled down press the double back tape at the bottom of the Gobi ladder (A3) against the lower door lip aligning the left side of the Gobi ladder to the masking tape mark previously made at the bottom of the rear door as shown on page 6 Fig. 4.
- 4- Refer to page 7 Fig. 5 open the rear H3 door completely at this time. Clean the area marked (D) along the entire inner door lip with denatured alcohol. Remove pinch plate (F) from C-Clamp (B) and peel off the protective double back tape film and attach plate (F) to area (D) as shown on page 7 Fig. 5 to match the bottom of the ladder but applied to the inside of the door.
- 5- Refer to page 8 Fig. 6 and Fig. 6a with the help of another person while still holding the ladder against the rear door install clamp (B) to the bottom of ladder (A3) and rear door lip as shown in Fig. 6 and Fig. 6a. Thread the two 5/16-18 x 1" button head screws, lock washers and flat washer (S) just recently removed back into the bottom of the ladder using a 3/16" Allen wrench and fully secure clamp (B) to the underside of the ladder (A3). Continue to the inside of clamp (B) and fully tighten pinch screws (B3) using a 3/16" Allen wrench supplied in your kit as shown in Fig. 6a. Then fully tighten jam nuts using a 9/16" box end wrench.
- 6- Refer to page 6 Fig. 4 and install washers, lock washers and nuts (B4) to the upper hanger plate (C) as shown in Fig. 4 and fully tighten "Do Not Over Tighten". Remove all previously applied masking tape markers. Installation is now completed.