

## GOBI JEEP JK WRANGLER RECON LIGHT BAR INSTALLATION INSTRUCTIONS

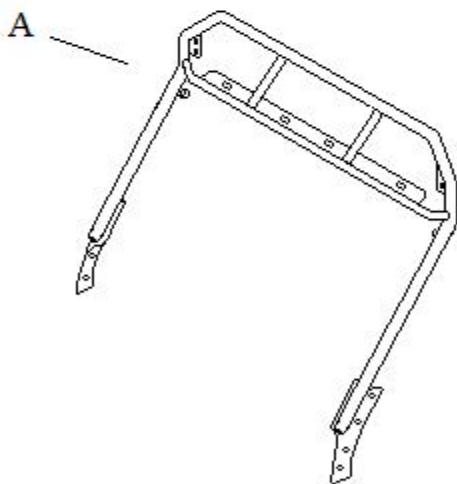
### Guidelines:

When using Load Carriers and Accessories, the user must understand the precautions. The points listed below will assist you in using the rack /carrier system and will encourage safety.

- For quality fits and safety, use only the recommended rack or accessory. Do not assume an accessory will fit, always check with dealer when obtaining new accessories. Use only approved accessories on load carriers. Using other brands will void your warranty.
- Make sure all knobs, bolts, screws, straps, and locks are firmly attached, tightened and locked before every trip. Knobs, bolts, screws, straps, and locks must be periodically inspected for signs of wear, corrosion, and fatigue. Check your load at stops during the trip to insure continued fastening security.
- Check local and state laws governing projection of objects beyond the width of a vehicle. **Be aware of the width and height of your cargo since low clearance branches, bridges, and parking garages can affect the load** All cargo will affect the vehicle's driving behavior. Never drive with any lock, knob, or rack in an open or unlocked position. All long loads such as, but not limited to sailboards, surfboards, kayaks, canoes, and lumber must be tied down front and rear to the bumpers or tow hooks, of the vehicle.
- Remove your rack accessories when they are not in use, before entering car washes, prior to taking in your vehicle for service, and whenever clearance may be an issue.
- All locks must be turned and moved periodically to insure smooth operation. Use graphite or similar dry lubricant to help this. Locks are designed to deter vandalism and theft. Remove valuable gear if your vehicle is unattended for an extended period. Place at least one key in the glove compartment.
- For safety to your vehicle and rack system, obey all posted speed limits and traffic cautions. Adapt your speed to the conditions of the road and the load being carried.
- Do not use load carriers and accessories for purposes other than those for which they were designed. Do not exceed their carrying capacity.
- Consult with your dealer if you have any questions regarding the operations and limits of this product. Review all instructions carefully.

**GOBI JEEP JK WRANGLER RECON LIGHT BAR  
INSTALLATION INSTRUCTIONS**Included in kit

Letter	Description	Location	Quantity
A	GOBI JEEP JK RECON FRONT LIGHT BAR	Main box	1
B	GOBI RECON LIGHT BAR RUBBER BUMPER WEAR PADS <u>CONTENTS:</u> 2- 1" Round Brown adhesive backed wear pads	Strapped to Light Bar <b>BAG #1</b>	1



## GOBI JEEP JK WRANGLER RECON LIGHT BAR INSTALLATION INSTRUCTIONS

A

**Step 1** Clean vehicle windshield frame area (B2) as shown with denatured alcohol for attachment of adhesive backed wear pads.

B2

14a

Use Original OEM Torx button head screws (14) to attach Gobi light bar in place

14

**Step-2** Install driver side first as shown and finger tighten OEM screws in place then with force pull the opposite side of the light bar over the passenger side mounting holes and install screws. Prior to tightening pull light bar away from vehicle and install adhesive backed wear pads (B2) on vehicle behind each rubber bumper. Pull light bar tight against vehicle with force and tighten all 4 screws on both sides. Installation complete.