

GOBI H2 STEALTH AXE / SHOVEL ATTACHMENT INSTALLATION INSTRUCTIONS

Guidelines:

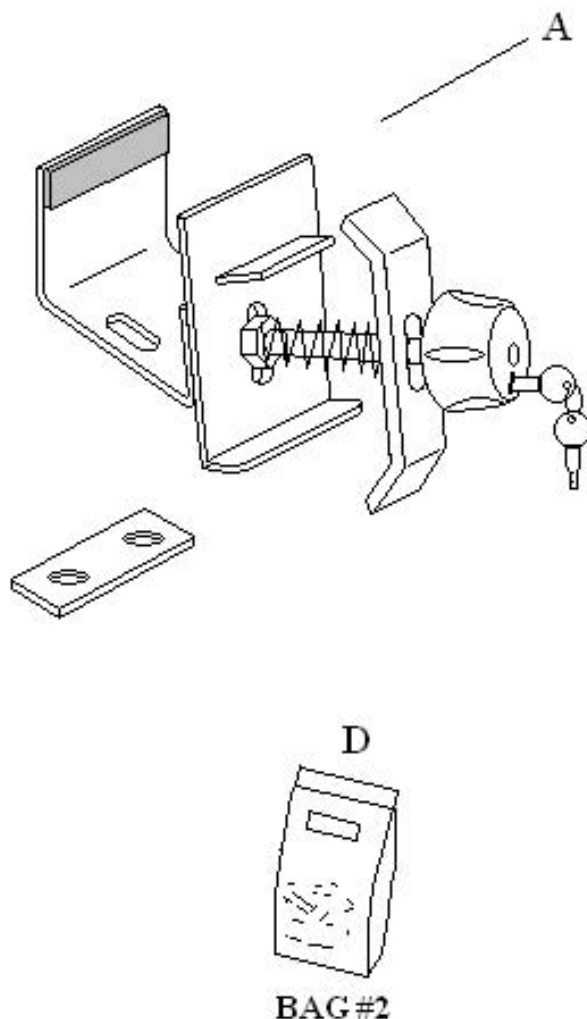
When using Load Carriers and Accessories, the user must understand the precautions. The points listed below will assist you in using the rack /carrier system and will encourage safety.

- For quality fits and safty, use only the recommended rack or accessory. Do not assume an accessory will fit, always check with dealer when obtaining new accessories. Use only approved accessories on load carriers. Using other brands will void your warrenty.
- Make sure all knobs, bolts, screws, straps, and locks are firmly attached, tightened and locked before every trip. Knobs, bolts, screws, straps, and locks must be periodically inspected for signs of wear, corrosion, and fatigue. Check your load at stops during the trip to insure continued fastening security.
- Check local and state laws governing projection of objects beyound the width of a vehicle. **Be aware of the width and height of your cargo since low clearance branches, bridges, and parking garages can affect the load** All cargo will affect the vehicle's driving behavior. Never drive with any lock, know, or rack in an open or unlocked position. All long loads such as, but not limited to sailboards, surfboards, kayaks, canoes, and lumber must be tied down front and rear to the bumpers or tow hooks, of the vehicle.
- Remove your rack accessories when they are not in use, before intering car washes, prior to taking in your vehicle for service, and whenever clearance may be an issue.
- All locks must be turned and moved periodically to insure smooth operation. Use graphite or similar dry lubricant to help this. Locks are designed to deter vandalism and theft. Remove valuable gear if your vehicle is unattended for an extended period. Place at least one key in the glove compartment.
- For safety to your vehicle and rack system, obey all posted speed limits and traffic cautions. Adapt your speed to the conditions of the road and the load being carried.
- Do not use load carriers and accessories for purposes other than those for which they were designed. Do not exceed their carrying capacity.
- Consult with your dealer if you have any questions regarding the operations and limits of this product. Review all instructions carefully.

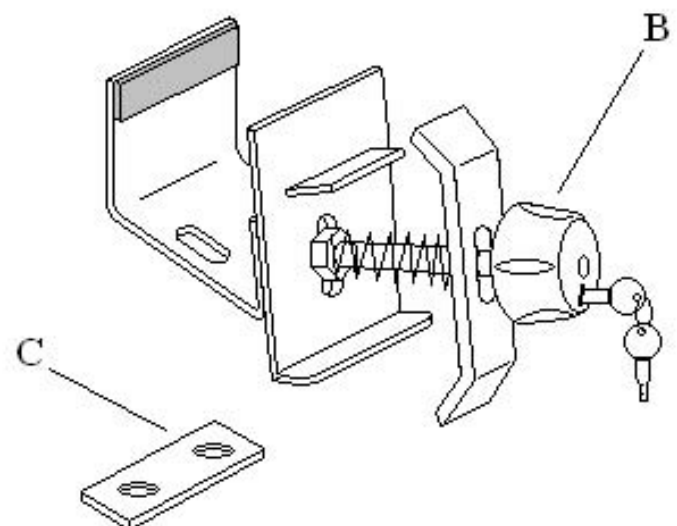
GOBI H2 STEALTH AXE / SHOVEL ATTACHMENT INSTALLATION INSTRUCTIONS

Included in kit:

Letter	Description	Quantity
A	H2 STEALTH AXE / SHOVEL ASSEMBLY COMP.	2
B	LOCKING KNOBS WITH KEYS	2
C	SPACER PLATE	2
D	MOUNTING HARDWARE BAG #2 4 5/16" - 18 x 1" Button head Stainless bolt 4 5/16" Lock washer Stainless 4 5/16" Washer Stainless 2- H2 "T" Nuts Black Zinc plated	1

**NOTE:**

Occasionally add a dry graphite lubricant injected into the inner lock mechanism to prevent condensation from damaging to the inner lock system.



GOBI H2 STEALTH AXE / SHOVEL ATTACHMENT INSTALLATION INSTRUCTIONS

To begin the installation procedure refer to page 2 of your instruction manual and check that all parts included in your kit are accounted for.

- 1- Refer to page 5 Fig. 2 and locate on either rear side of your vehicle and roof rack the first Axe / Shovel bracket position approximately 19" (48.26cm) from the end of the roof rack.
- 2- Refer to page 4 slip "T" nut supplied with your kit into the OEM roof track as shown in Fig. 1a at the first position as shown in Fig. 2 page 5 then place the small black spacer plate "C" supplied with your kit over the top of the "T" nut on the OEM roof track as shown in Fig. 1a. Slide the back end of the Axe / Shovel bracket under the roof rack and over the top of the spacer previously installed as shown on page 4 Fig. 1a. Align the slotted holes of the Axe / Shovel bracket with the spacer and "T" nut then thread screws, lock washers and washers "F" thru Axe / Shovel bracket, spacer and "T" as shown in Fig. 1a snug down at this time.
- 3- Refer again to page 4 Fig. 1a and pull the Axe / Shovel bracket in the direction of the arrow marked "G" away from the vehicle so that the back end of the Axe / Shovel bracket is in tight contact with the inner side of the roof rack tubing while fully tightening down screws "F". Continue to the second position as shown on page 5 Fig. 2 and install the second Axe / Shovel bracket in the same manner as explained in step #2 and #3 above.
- 4- Continue on to page 6 Fig. 3.

GOBI H2 STEALTH AXE / SHOVEL ATTACHMENT INSTALLATION INSTRUCTIONS

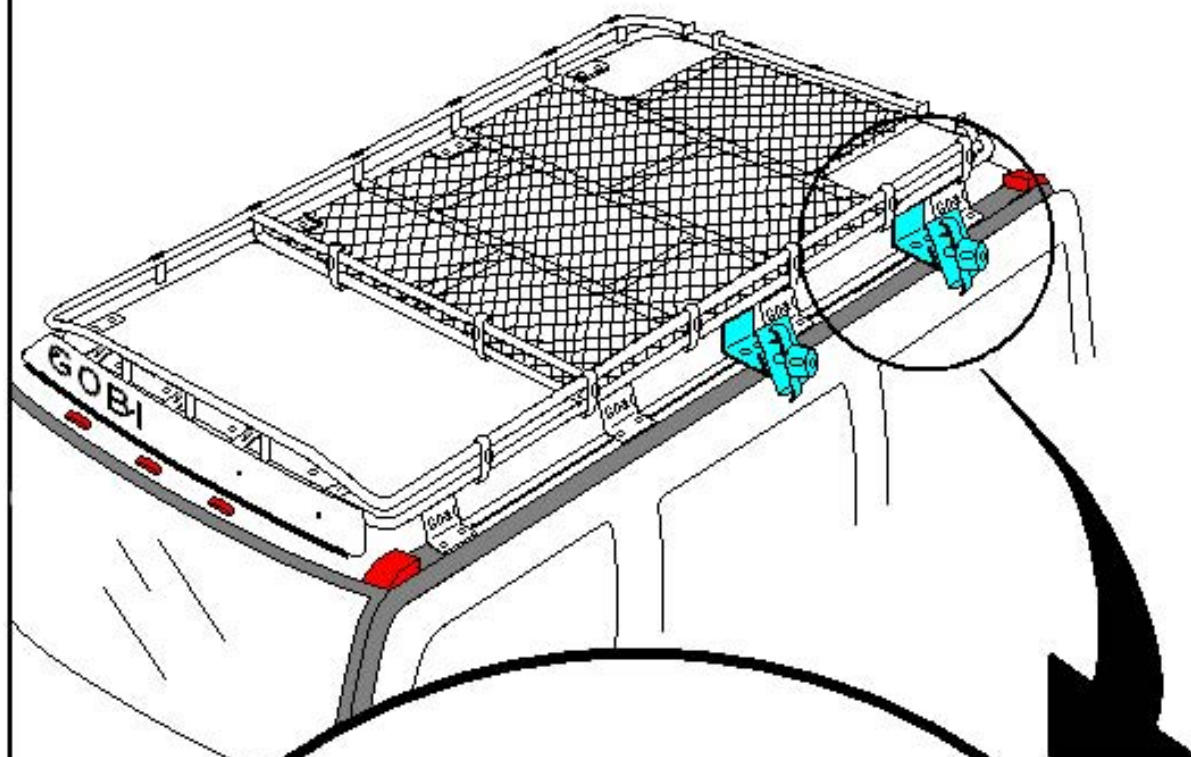


Fig. 1

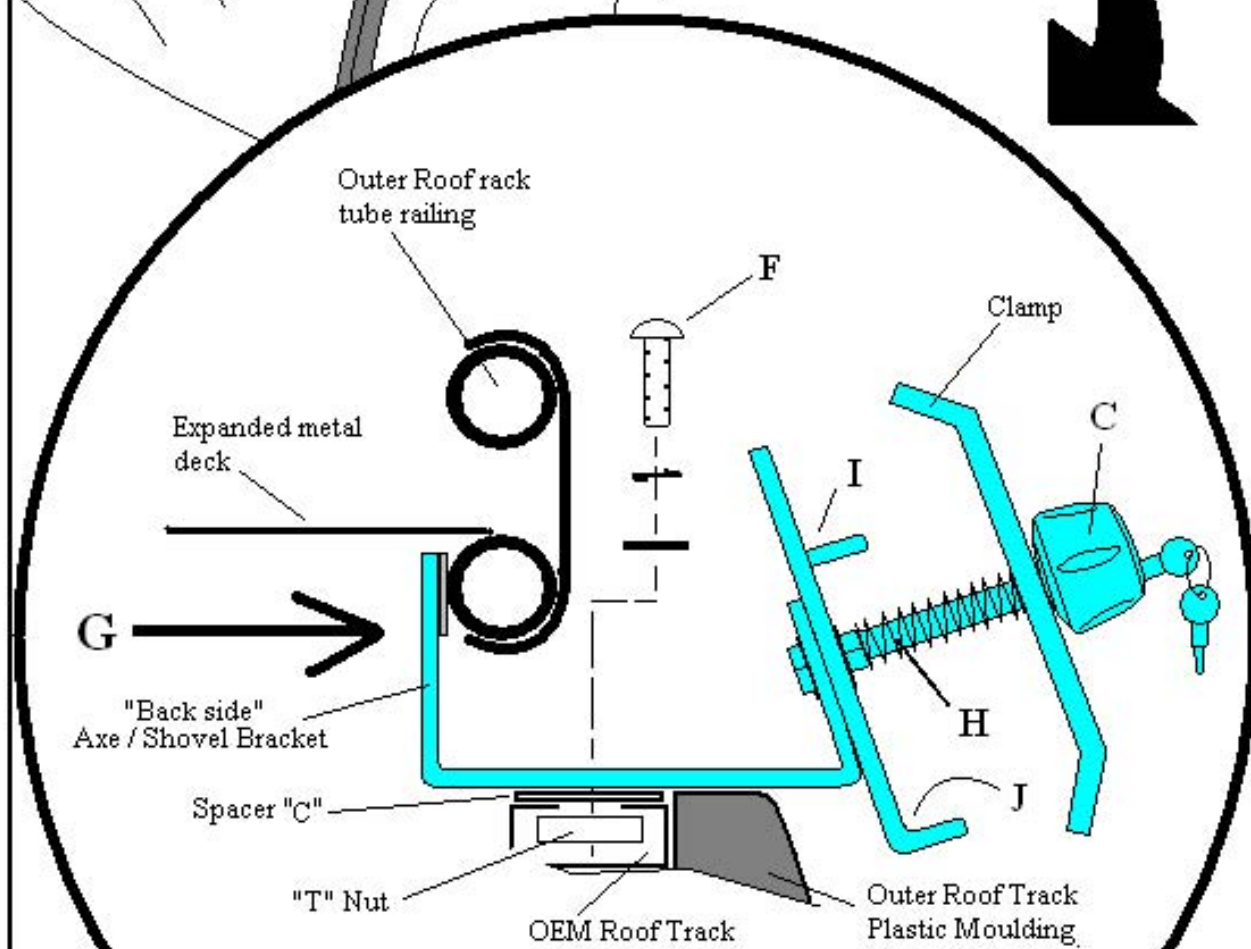
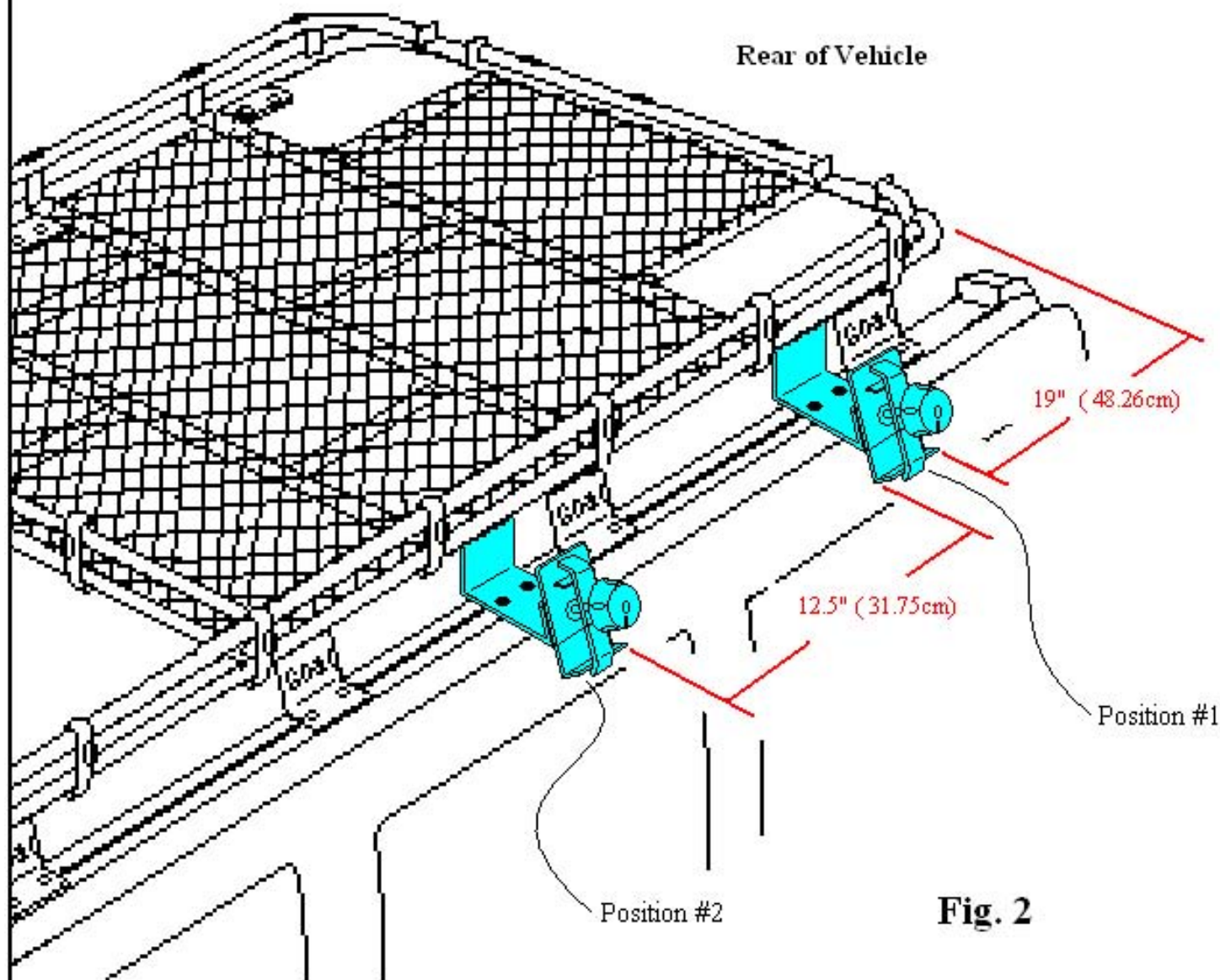


Fig. 1a

GOBI H2 STEALTH AXE / SHOVEL ATTACHMENT INSTALLATION INSTRUCTIONS



"Caution"

"Use Caution when installing or removing the Axe and or Shovel from the brackets as they may slip from your hand causing serious injury or damage to your vehicle".

GOBI H2 STEALTH AXE / SHOVEL ATTACHMENT INSTALLATION INSTRUCTIONS

User Safety Instructions:

When installing Shovel and or Axe into bracket assembly take extreme caution that no persons are immediately under or around you while attaching the Shovel and or Axe they may slip from your hands causing serious injury or damage to your vehicle. **Note: Use long handled shovels as some short handled shovels may impede door opening.**

Installing and removing Shovel and or Axe:

- A) Loosen both locking knobs "C" and swing pinch clamps "H" sideways as shown in Fig 3 page 6.
- B) Place the Axe onto the Axe resting plates "I" with the Axe head towards the rear of the roof rack as shown in Fig 3 page 6 and hold with one hand at this time.
- C) Place the Shovel onto the lower shovel rests as shown in Fig 3 page 6 with the spade end of the shovel towards the end of the roof rack covering the Axe head. With one hand holding both tools in place turn one of the pinch clamps "H" over the Axe and Shovel handles and clamp down using the locking knob "C". When one side is held in place continue to the other pinch clamp turn pinch clamp "H" vertical so that the clamp also covers the tool handles and clamp down using the locking knobs as shown in Fig 3 page 6.
- D) Once both tools are tightened and secured in place lock both knobs with the keys supplied in your kit. The knobs when locked will turn freely when unlocked the knobs can be unscrewed and loosened.

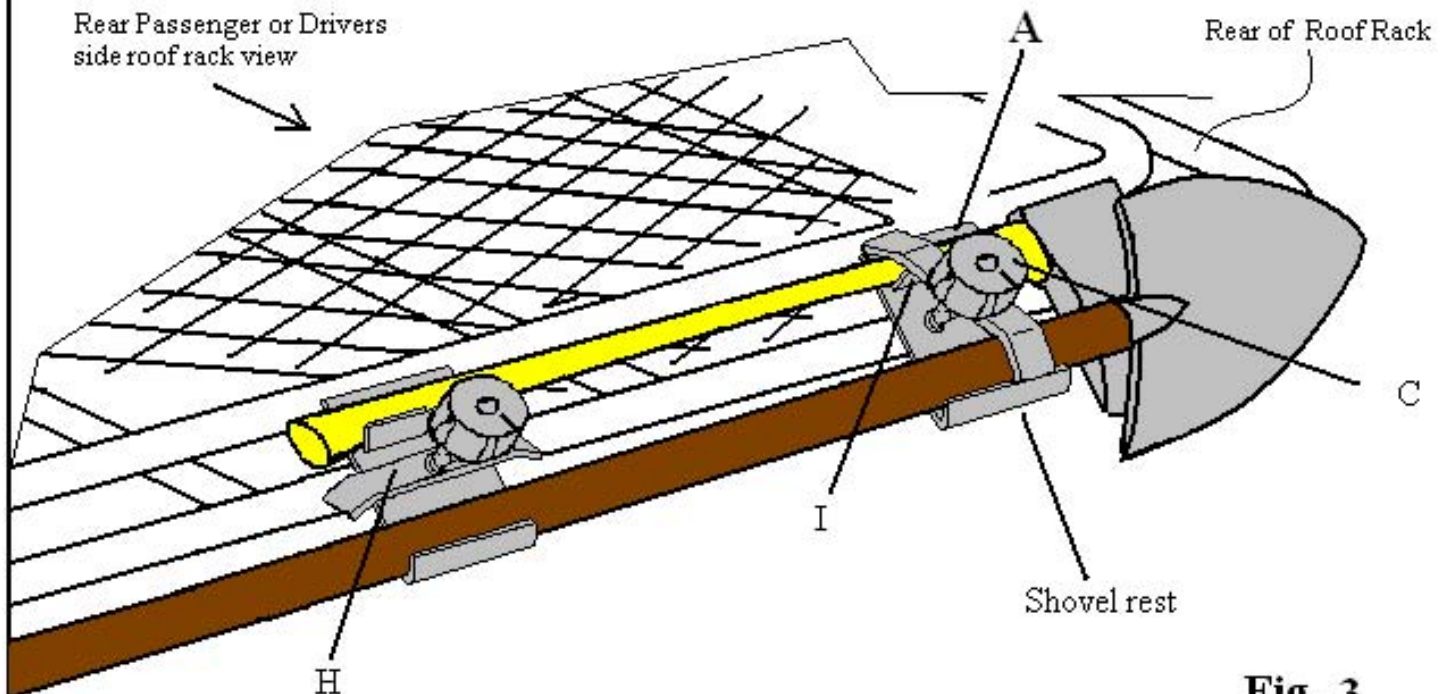


Fig. 3

"Caution"

"Use Caution when installing or removing the Axe and or Shovel from the brackets as they may slip from your hand causing serious injury or damage to your vehicle".