

GOBI STEALTH FOXWING / BATWING AWNING BRACKETS

INSTALLATION INSTRUCTIONS

Guidelines:

When using Load Carriers and Accessories, the user must understand the precautions. The points listed below will assist you in using the rack /carrier system and will encourage safety.

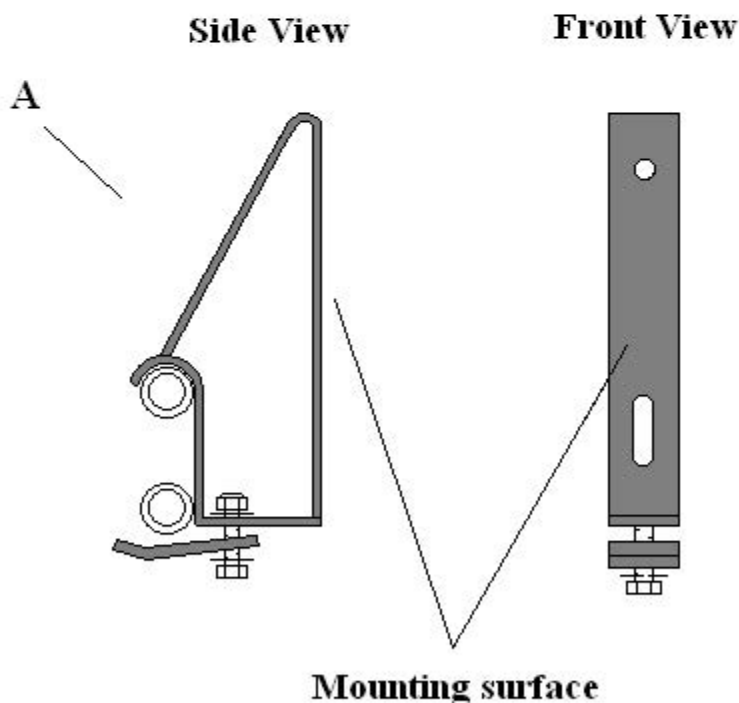
- For quality fits and safty, use only the recommended rack or accessory. Do not assume an accessory will fit, always check with dealer when obtaining new accessories. Use only approved accessories on load carriers. Using other brands will void your warrenty.
- Make sure all knobs, bolts, screws, straps, and locks are firmly attached, tightened and locked before every trip. Knobs, bolts, screws, straps, and locks must be periodically inspected for signs of wear, corrosion, and fatigue. Check your load at stops during the trip to insure continued fastening security.
- Check local and state laws governing projection of objects beyound the width of a vehicle. **Be aware of the width and height of your cargo since low clearance branches, bridges, and parking garages can affect the load** All cargo will affect the vehicle's driving behavior. Never drive with any lock, know, or rack in an open or unlocked position. All long loads such as, but not limited to sailboards, surfboards, kayaks, canoes, and lumber must be tied down front and rear to the bumpers or tow hooks, of the vehicle.
- Remove your rack accessories when they are not in use, before intering car washes, prior to taking in your vehicle for service, and whenever clearance may be an issue.
- All locks must be turned and moved periodically to insure smooth operation. Use graphite or similar dry lubricant to help this. Locks are designed to deter vandalism and theft. Remove valuable gear if your vehicle is unattended for an extended period. Place at least one key in the glove compartment.
- For safety to your vehicle and rack system, obey all posted speed limits and traffic cautions. Adapt your speed to the conditions of the road and the load being carried.
- Do not use load carriers and accessories for purposes other than those for which they were designed. Do not exceed their carrying capacity.
- Consult with your dealer if you have any questions regarding the operations and limits of this product. Review all instructions carefully.

GOBI STEALTH FOXWING / BATWING AWNING BRACKETS

INSTALLATION INSTRUCTIONS

Included in kit

Letter	Description	Location	Quantity
A	GOBI STEALTH FOXWING / BATWING AWNING SUPPORT BRACKETS	Main box	2

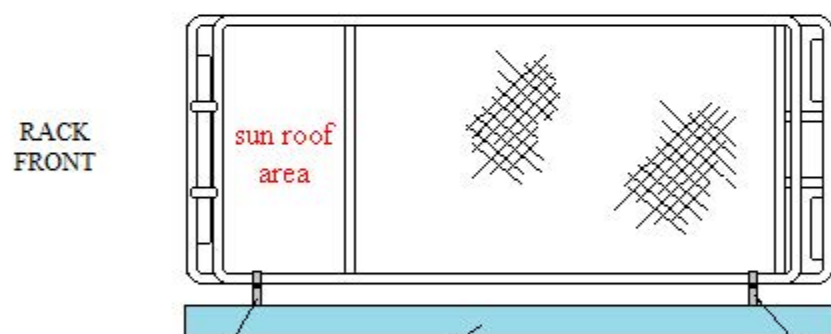


GOBI STEALTH FOXWING / BATWING AWNING BRACKETS

INSTALLATION INSTRUCTIONS

The Awning should be installed on the Driver side of the vehicle so that the awning can wrap around the rear of the vehicle for best coverage results. Refer to Fig. 1 and Fig. 2 below for placement of support brackets (A). Start your measurement at the front of the Gobi rack as shown then space brackets (A) apart as far as possible.

Top View



Foxwing Awning

Fig. 1

Side View

RACK
FRONT



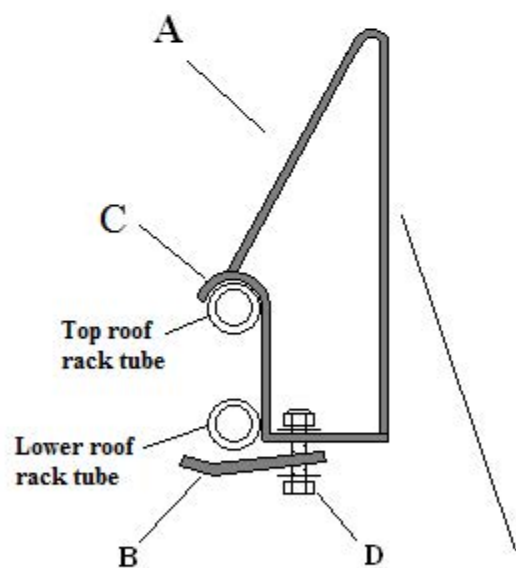
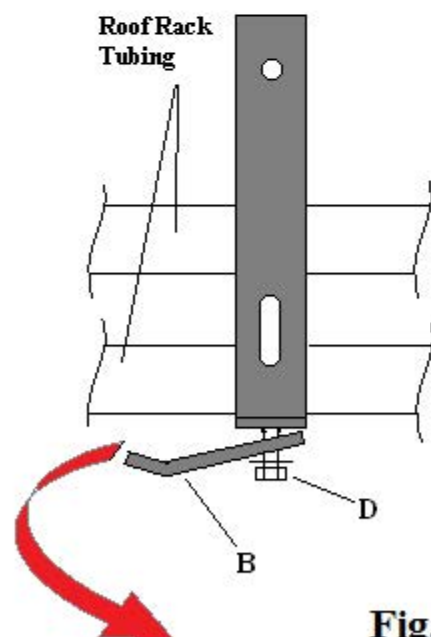
Foxwing Awning

Fig. 2

GOBI STEALTH FOXWING / BATWING AWNING BRACKETS

INSTALLATION INSTRUCTIONS

- 1- Refer to Fig. 3 and Fig. 4 below swing out pinch clamp (B) and place hook end (C) of support bracket (A) over the top of the roof rack tubing as shown then swing pinch clamp (B) under roof rack tube and fully tighten the 3/8" screw, flat washer and nylock nut (D) using a pair of 9/16" box end wrenches.
- 2- Once both Gobi awning support brackets are fully tightened and secured in place you can now attach your awning as instructed by your awning manufacturer.

**Fig. 3****Fig. 4**