

## GOBI STEALTH ROOF RACK ALU-CAB AWNING ATTACHMENT PASSENGER AND DRIVER SIDE INSTALLATION INSTRUCTIONS

### Guidelines:

When using Load Carriers and Accessories, the user must understand the precautions. The points listed below will assist you in using the rack /carrier system and will encourage safety.

- For quality fits and safety, use only the recommended rack or accessory. Do not assume an accessory will fit, always check with dealer when obtaining new accessories. Use only approved accessories on load carriers. Using other brands will void your warranty.
- Make sure all knobs, bolts, screws, straps, and locks are firmly attached, tightened and locked before every trip. Knobs, bolts, screws, straps, and locks must be periodically inspected for signs of wear, corrosion, and fatigue. Check your load at stops during the trip to insure continued fastening security.
- Check local and state laws governing projection of objects beyond the width of a vehicle. **Be aware of the width and height of your cargo since low clearance branches, bridges, and parking garages can affect the load** All cargo will affect the vehicle's driving behavior. Never drive with any lock, knob, or rack in an open or unlocked position. All long loads such as, but not limited to sailboards, surfboards, kayaks, canoes, and lumber must be tied down front and rear to the bumpers or tow hooks, of the vehicle.
- Remove your rack accessories when they are not in use, before entering car washes, prior to taking in your vehicle for service, and whenever clearance may be an issue.
- All locks must be turned and moved periodically to insure smooth operation. Use graphite or similar dry lubricant to help this. Locks are designed to deter vandalism and theft. Remove valuable gear if your vehicle is unattended for an extended period. Place at least one key in the glove compartment.
- For safety to your vehicle and rack system, obey all posted speed limits and traffic cautions. Adapt your speed to the conditions of the road and the load being carried.
- Do not use load carriers and accessories for purposes other than those for which they were designed. Do not exceed their carrying capacity.
- Consult with your dealer if you have any questions regarding the operations and limits of this product. Review all instructions carefully.

**READ ALL INSTRUCTIONS CAREFULLY PRIOR TO INSTALL**

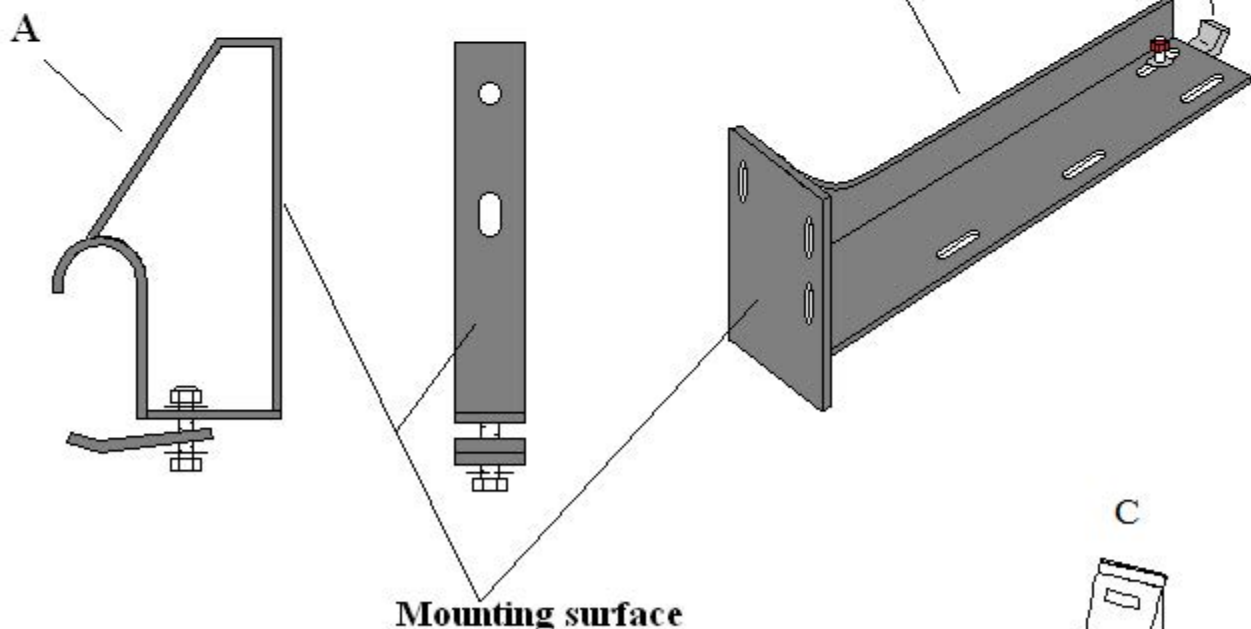
**USE ANTI-SEIZE LUBRICANT ON ALL SCREWS**

**GOBI STEALTH ROOF RACK ALU-CAB AWNING ATTACHMENT**  
PASSENGER AND DRIVER SIDE  
**INSTALLATION INSTRUCTIONS**Included in kit

| Letter | Description  | Location | Quantity |
|--------|--|----------|----------|
| A      | GOBI STEALTH ALU-CAB AWNING SUPPORT BRACKETS   | Main box | 2        |
| B      | GOBI STEALTH ALU-CAB AWNING MAIN SUPPORT BRACKET   | Main box | 1        |
| C      | GOBI STEALTH ALU-CAB MOUNTING HARDWARE<br>CONTENTS: 7- 5/16-18 x 1" SS hex head screw<br>7- 5/16 SS nylock nut<br>14- M 8 x 24 SS fender washer<br>3- 1/4-20 x 1" SS hex head screw<br>3- 1/4 SS nylock nut<br>6- 1/4" SS fender washers<br>1- Packet Anti-seize lubricant | Bag #1   | 1        |

Side View

Front View



**Tool List:** 2- 1/2" box or open end wrench  
2- 7/16" box or open end wrench  
2- 9/16" box or open end wrench

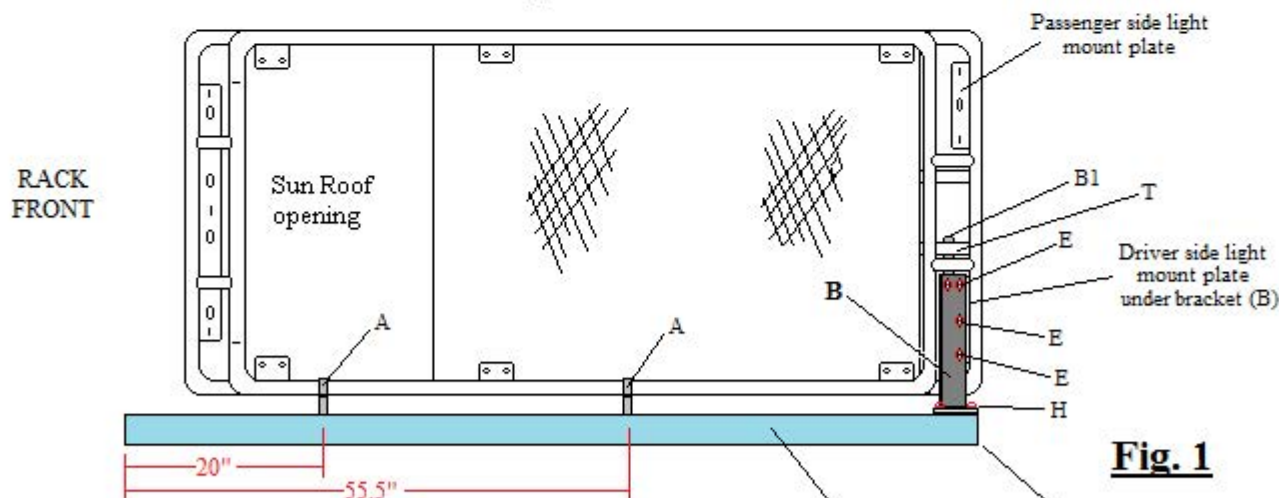


## GOBI STEALTH ROOF RACK ALU-CAB AWNING ATTACHMENT PASSENGER AND DRIVER SIDE INSTALLATION INSTRUCTIONS

Make certain all parts listed on page 2 are present prior to install. The following instructions will explain how the ALU-CAB awning is installed on the driver's side of a Gobi rack but can be used for the passenger side as well.

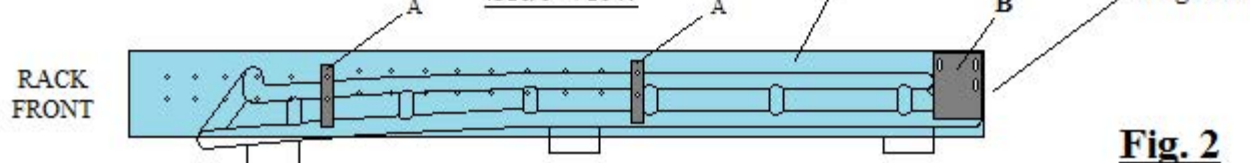
First install only two Gobi ALU-CAB supports brackets (A) on the back side of the ALU-CAB awning as shown in Fig. 1 and Fig. 2. Make certain the awning's hinge end is positioned in the correct direction towards the rear of the vehicle on a set of saw horses or the like next to the side of the vehicle the awning will be mounted to. Locate a set of 20" and 55.5" pre drilled holes from the forward end of the awning shown in Fig.1 and Fig. 2. Mount the 2 Gobi support brackets (A) to these pre drilled holes using 4 5/16-18 x 1" hex head screws, 4- M8 fender washers (F) and 4- 5/16" M8 fender washers and 4 5/16" nylock nuts (G) located in Bag #1 as shown in Fig. 1, 2 and page 4 Fig. 3. Do not fully tighten, leave some play for adjustment. **Do not mount the ALU-CAB awning at this time.** Remove the main support bracket (B) from your hardware box and position over the driver side rear rack light mount plate shown in Fig. 1. Do not remove pre-attached clamp (B1) from the main support, simply swing out of the way and position main support bracket (B) over rear driver side light mount plate. Swing Clamp (B1) under rear rack tube (T) shown in Fig. 1 but do not tighten at this time. Install 3 1/4-20 x 1" SS hex head screws and flat fender washers down through plate (B) and into rear rack driver side light mount plate and secure in place with 3 1/4" flat fender washers and nylock nuts from the underside, screws located in Bag #1. Do not fully tighten, leave some play for adjustment. Make certain the hinge end mounting screw holes of awning are opened through the fabric cover prior to install. With the help of another person lift the ALU-CAB awning with pre attached Gobi support brackets (A) and hang on the rack's upper outer tube shown in Fig. 1, 2 and page 4 Fig. 3. Line up the hinge end of the ALU-CAB awning mounting holes with the Gobi main support bracket (B) mounting holes shown in Fig. 1 and Fig. 2. If you need to move the awning forward or rearward for main support bracket hole alignment, lift the awning up off the rack then back down again. **"DO NOT slide awning brackets up or down the rack"**. Once alignment of holes has been verified insert all 3 5/16-18 x 1" SS hex head screws, M8 fender washers (H) through main Gobi support bracket then through ALU-CAB hinge end of awning and secure in place with 3 M8 fender washers and nylock nuts from the inside of the awning, screws located in Bag #1. Snug down only at this time. Visually align main support bracket (B) with the back of the rack then fully tighten all 3 screws (E) then fully tighten clamp (B1). Fully tighten all 3 screws (H). Refer to page 4 Fig. 3 and Fig. 4.

### Top View



**Fig. 1**

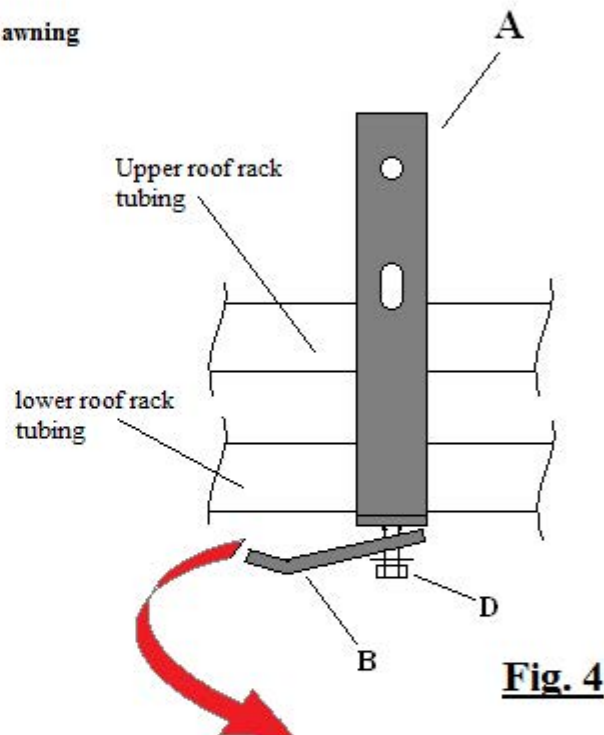
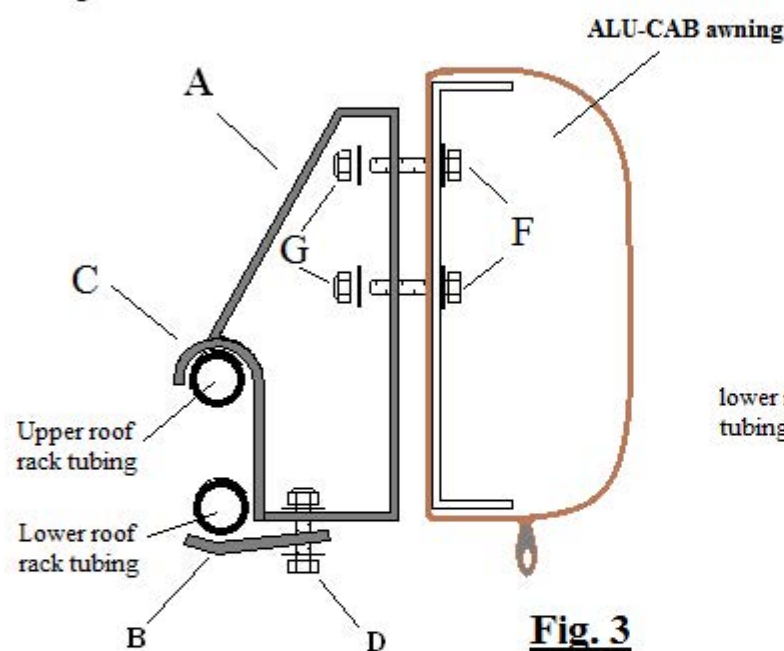
### Side View



**Fig. 2**

## GOBI STEALTH ROOF RACK ALU-CAB AWNING ATTACHMENT PASSENGER AND DRIVER SIDE INSTALLATION INSTRUCTIONS

Refer to Fig. 3 and Fig. 4 then swing pinch clamp (B) of both awning support brackets (A) under lower rack tube then fully tighten screws (D) in place using two 9/16" open or closed box end wrenches. Fully tighten screws (G) and (F) using two 1/2" open or closed box end wrenches. Gobi ALU-CAB awning and bracket installation is completed.



### GOBI ALU-CAB AWNING BRACKET INSTALLATION COMPLETED